

# shorter than ISO Cylinders

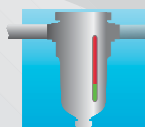


Your space saving

Comparison between Compact Cylinder and ISO Cylinder of equivalent bore and stroke length

- ◆ Very compact – approximately 1/3 the basic length of a corresponding ISO model
- ◆ Guided and double ended piston rod types – ideal for specialised applications
- ◆ Wide range of styles, bore sizes and stroke lengths
- ◆ Non-rotating piston rod types – for accurate, repeatable component orientation
- ◆ Standard version with magnetic piston
- ◆ Fully non corrodible specification

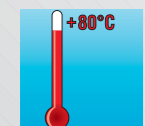
## Technical Data



Medium:  
Compressed air, filtered,  
lubricated or non-lubricated



Operating Pressure:  
1 to 10 bar (double acting)  
2 to 10 bar (single acting)



Operating Temperature:  
80°C max.  
Up to 150°C upon request  
(TRM/92000/M from Ø 32 to 100 mm;  
Reed Switch TM/40)



IMI Norgren GmbH, Actuator Division  
Bruckstraße 93, D-46519 Alpen, Germany  
☎ +49-28.02/49-0, Fax +49-28 02/68 04



Actuators



Fittings



Valves



Air Line

Norgren is a leading world manufacturer and supplier of pneumatic solutions, offering a comprehensive range of pneumatic control and automation components via a global sales and service network which covers 70 countries worldwide. The company is a principal member of the diverse and internationally successful £1 billion IMI Group.



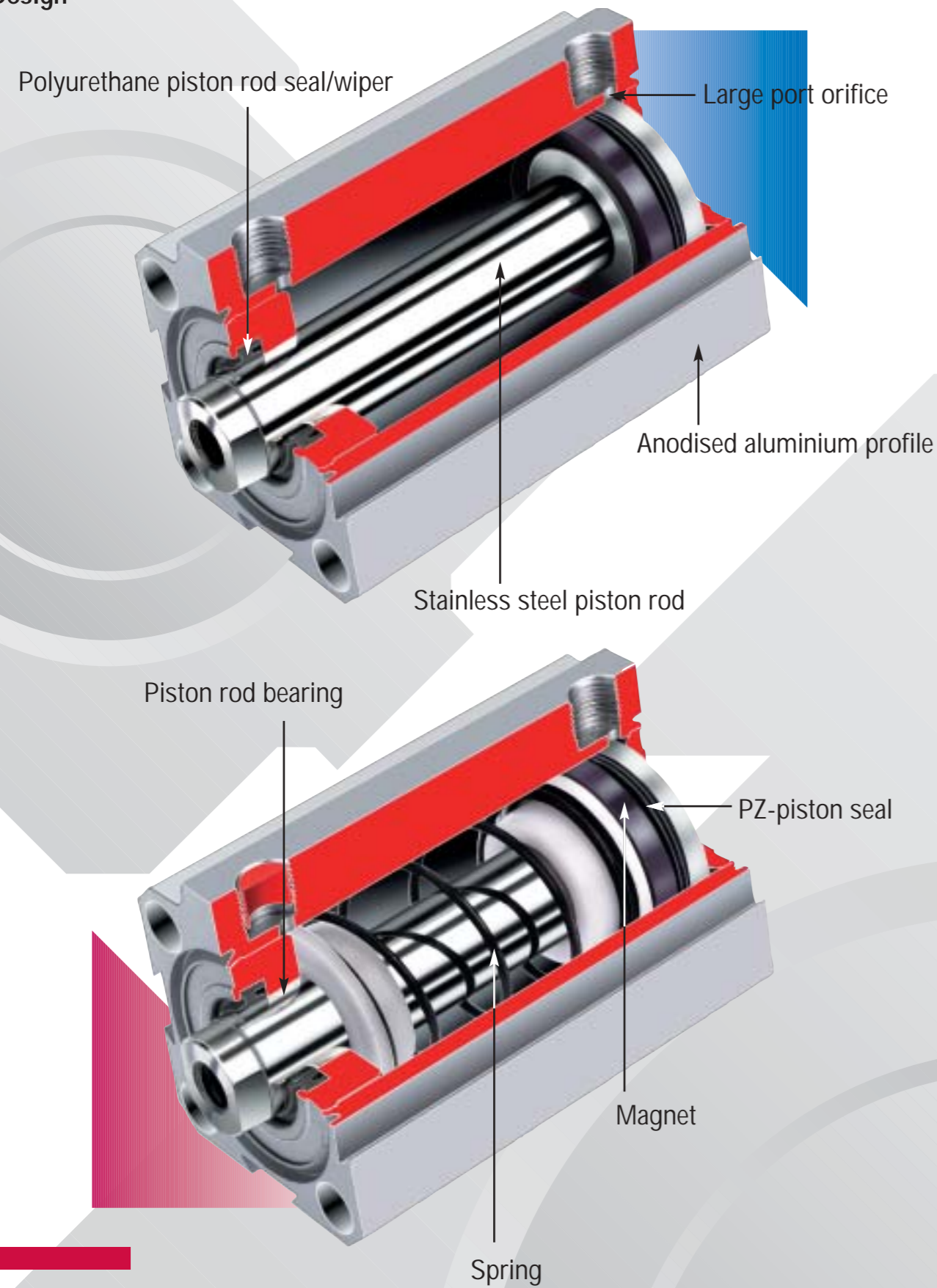
# Compact Cylinders

Series RM/90000/M  
Single and Double Acting  
Ø 12 to 100 mm

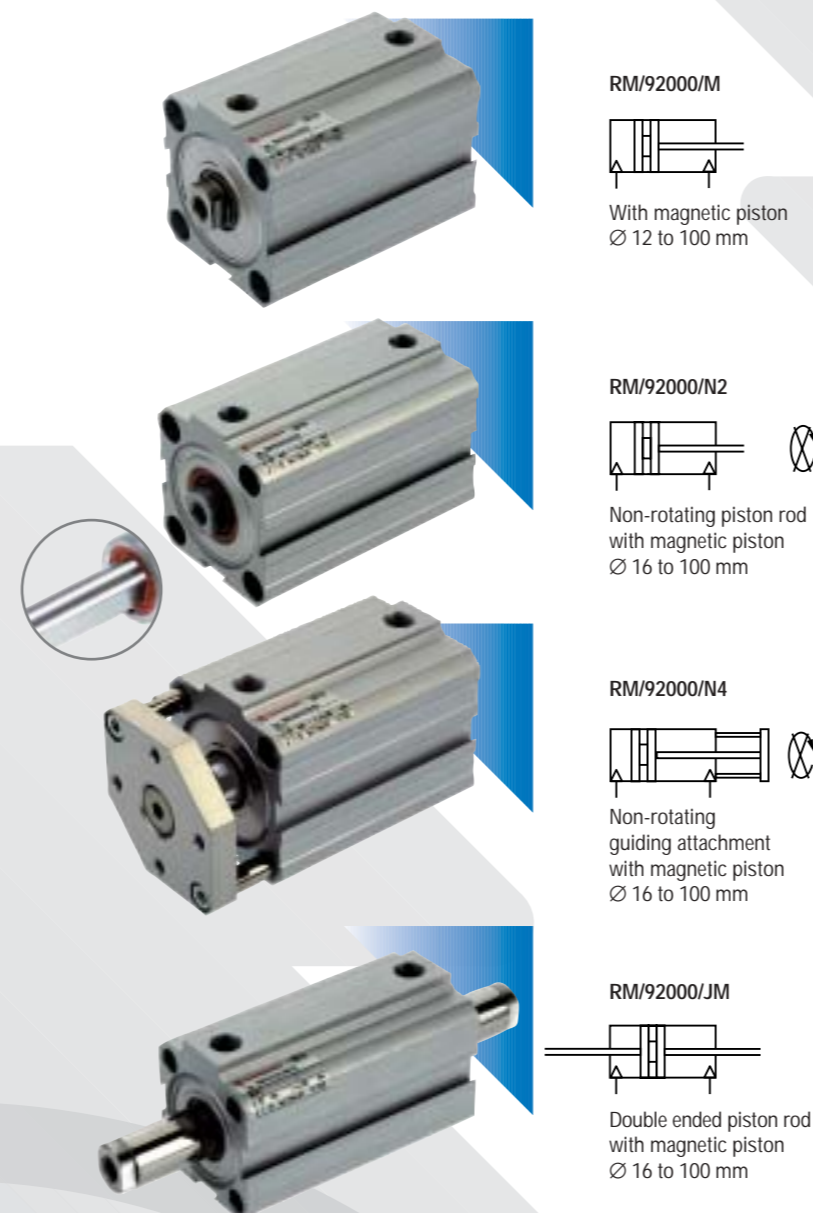


# Norgren Compact Cylinders – the complete answer to short stroke requirements

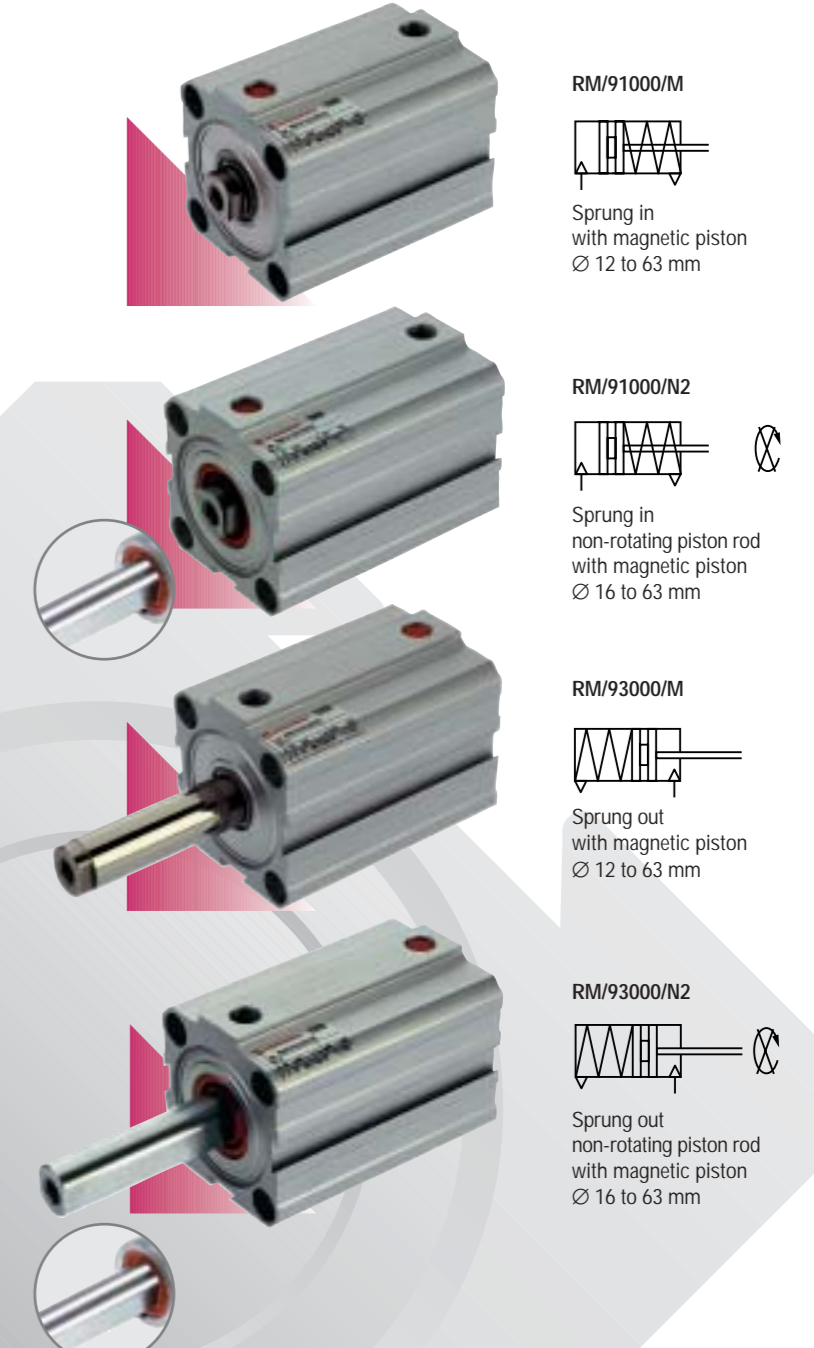
## The Design



## Double acting version



## Single acting version



Cylinder diameters (mm)

	12	16	20	25	32	40	50	63	80	100
5	Blue triangle	Blue triangle	Blue triangle	Blue triangle	Blue triangle	Blue triangle	Blue triangle	Blue triangle		
10	Blue triangle	Blue triangle	Blue triangle	Blue triangle	Blue triangle	Blue triangle	Blue triangle	Blue triangle		
15										
20										
25										
30										
40										
50										
60										
80										
100										

Standard Strokes\*

Double acting version      Single acting version

\*Non-standard strokes: All double acting compact cylinders can be supplied with any stroke length:

200 mm max.	∅ 16 to 25 mm
250 mm max.	∅ 32 and 40 mm
300 mm max.	∅ 50 to 100 mm

## Switches



## Mountings

