

CLAMPING CYLINDERS M/50100

Single acting – Ø 8 ... 63 mm

Enable high thrusts to be achieved in restricted space

Neat, clean appearance

One-piece body construction

TECHNICAL DATA

Medium:

Compressed air, filtered and lubricated

Operating pressure:

2 to 10 bar (single acting)

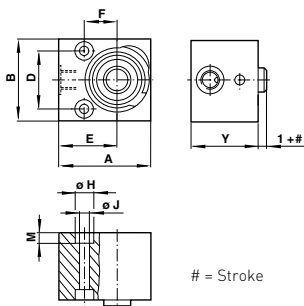
Operating temperature:

-10°C to +70°C

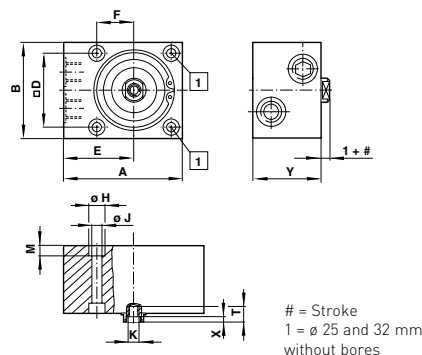
Consult our Technical Service for use below +2°C



M/50108 and M/50112



M/50120 ... M/50163



Dimensions

Dia. Ø	A	B	D	E	F	Ø H	Ø J	K	M	T	X	Dia. Ø	#	Y	Dia. Ø	#	Y
8		20	18	11	13,5	8	6	3,4	-	3,2	M 5	8	4	15	32	10	31
12	25	20	13	16	9	6	3,4	-	3,4			12	4	15	32	25	46
20	40	32	20	24	15	10	5,5	M 5	5,5	8	2	12	10	23	50	10	30
32	55	45	32	32	18	10	5,5	M 6	5,5	14,5	2,5	20	4	20	50	25	45
50	80	65	50	47,5	25	11	6,6	M 8	6,8	15	3	20	10	26	63	10	35
63	90	80	62	50	31	15	9	M 8	9	15	3	32	5	26	63	25	50

Models

SINGLE ACTING Model	Dia. Ø	Stroke	Port size	Piston rod Ø
---------------------	--------	--------	-----------	--------------



M/50108/4	8	4	M5	4
M/50112/4	12	4	M5	6
M/50112/10	12	10	M5	6
M/50120/4	20	4	M5	10
M/50120/10	20	10	M5	10
M/50132/5	32	5	G1/8	16
M/50132/10	32	10	G1/8	16
M/50132/25	32	25	G1/8	16
M/50150/10	50	10	G1/8	20
M/50150/25	50	25	G1/8	20
M/50163/10	63	10	G1/8	20
M/50163/25	63	25	G1/8	20

Accessories

Straight fitting	Elbow fitting
------------------	---------------



CO2250405	CO2470405
CO2250405	CO2470405
CO2250405	CO2470405
CO2250405	CO2470405
CO2250405	CO2470405
CO2250618	CO2470618
CO2250618	CO2470618
CO2250618	CO2470618
CO2250618	CO2470618
CO2250618	CO2470618
CO2250618	CO2470618
CO2250618	CO2470618
CO2250618	CO2470618



For further information
www.norgren.com/info/nec/en032

If you can't see the option you require...
 ...call the Express hotline now!

CLAMPING CYLINDERS M/50200

Double acting – Ø 8 ... 63 mm



Enable high thrusts to be achieved in restricted space

Neat, clean appearance

One-piece body construction

TECHNICAL DATA

Medium:

Compressed air, filtered and lubricated

Operating pressure:

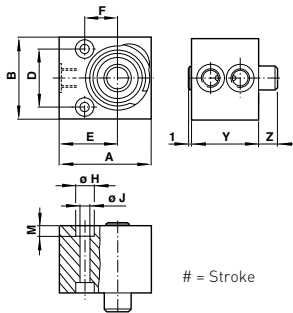
1,5 to 10 bar (double acting)

Operating temperature:

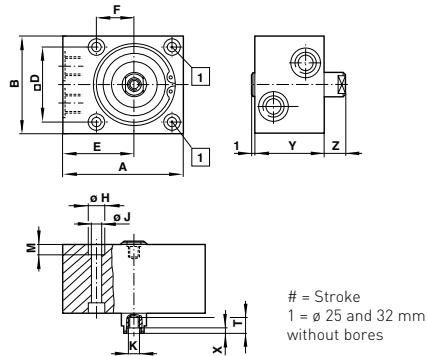
-10°C to +70°C

Consult our Technical Service for use below +2°C

M/50208
and M/50212



M/50220
... M/50263



Dimensions

Dia. Ø	A	B	Ø C	D	E	F	Ø H	Ø J	K	M	T	X
8	20	18	-	11	13,5	8	6	3,4	-	3,2	-	-
12	25	20	-	13	16	9	6	3,4	-	3,4	-	-
20	40	32	5,3	20	24	15	10	5,5	M 5	5,5	8	2
32	55	45	6,4	32	32	18	10	5,5	M 6	5,5	14,5	2,5
50	80	65	8,4	50	47,5	-	11	6,6	M 8	6,8	15	3
63	90	80	8,4	62	50	-	15	9	M 8	9	15	3

Dia. Ø	#	Y	Z	Dia. Ø	#	Y	Z
8	4	22	5	32	10	38,5	15
12	4	24	5	32	25	53,5	30
12	10	30	11	50	10	36,5	15
20	4	25	8	50	25	51,5	30
20	10	31	14	63	10	41,5	15
32	5	33,5	10	63	25	56,5	30

Models

DOUBLE ACTING Model	Dia. Ø	Stroke	Port size	Piston rod Ø
---------------------	--------	--------	-----------	--------------



M/50208/4	8	4	M5	4
M/50212/4	12	4	M5	5
M/50212/10	12	10	M5	5
M/50220/4	20	4	M5	10
M/50220/10	20	10	M5	10
M/50232/5	32	5	G1/8	12
M/50232/10	32	10	G1/8	12
M/50232/25	32	25	G1/8	12
M/50250/10	50	10	G1/8	16
M/50250/25	50	25	G1/8	16
M/50263/10	63	10	G1/8	16
M/50263/25	63	25	G1/8	16

Accessories

Straight fitting	Elbow fitting
------------------	---------------



C02250405	C02470405
C02250405	C02470405
C02250405	C02470405
C02250405	C02470405
C02250405	C02470405
C02250618	C02470618
C02250618	C02470618
C02250618	C02470618
C02250618	C02470618
C02250618	C02470618
C02250618	C02470618
C02250618	C02470618
C02250618	C02470618

If you can't see the option you require...
...call the Express hotline now!

For further information
www.norgren.com/info/nec/en033

