

2/2-way valves DN 8 to 25 with DVGW-approval

For neutral gases and liquid fuels
Solenoid actuated with forced lifting
Diaphragm valves
Internal threads G 1/4 to G 1
Operating pressure 0 to 4 / 8 bar

82370



Description (standard valve)

Solenoid valve for neutral gases and liquid fuels

Switching function:	normally closed
Flow direction:	determined
Fluid temperature:	-10 °C up to max. +60 °C
Ambient temperature:	-10 °C up to max. +50 °C
Mounting position:	optional, preferably solenoid vertical on top

Material

Body:	Brass (CW617N)
Seat seal:	FPM
Internal parts:	Stainless steel, Brass, PVDF

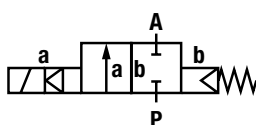


Strainer with maximum mesh size of 0.25 mm is necessary upstream of the valve.

Features

- EC-Type Examination Certificate
product ID-No.: CE-0085AU0323
valve class A G 1/4 – G 1/2; B G 3/4 and G 1; valve group 2
- Qualification approval EN 161/3394 part 1 and EN 264
- High functional reliability
- Short response time < 1 s

Symbol



Ordering information

To order, quote model number from table overleaf, e. g. 8237400.9381 for a DN 25 valve.

Characteristic Data

Valves

Part Number solenoid with ≡	Part Number solenoid with ~	Nominal Diameter (mm)	Connection Size	Operating Pressure *		k _v -value ** (Base m ³ /h)	Weight Total (kg)
				min. (bar)	max. (bar)		
8237000.9381 8237080.9381	8237000.9382 8237080.9382	8	G 1/4	0	4 8	1.6	1.00 1.20
8237100.9381 8237180.9381	8237100.9382 8237180.9382	10	G 3/8	0	4 8	2.0	0.90 1.10
8237200.9381 8237280.9381	8237200.9382 8237280.9382	12	G 1/2	0	4 8	2.3	0.90 1.10
8237300.9381 8237380.9381	8237300.9382 8237380.9382	20	G 3/4	0	4 8	5.8	1.55 1.85
8237400.9381 8237480.9381	8237400.9382 8237480.9382	25	G 1	0	4 8	6.1	1.45 1.75

* for gases and liquid fluids up to 25 mm²/s (cSt)

State voltage [V] and frequency [Hz]

** C_v-value (US) ≈ k_v-value x 1.2

Note:

Operating pressure exceeding 4 bars female threaded sealing connections are not allowed.
Outer threaded version available on request (extra charge).

Solenoid 9381 / 9382

Standard voltage

DC ≡	AC ~ 40 Hz – 60 Hz	
	24 V	24 V
–	110 V	120 V
–	120 V	220 V

Design acc. to DIN VDE 0580

Voltage range ±10 %

100 % duty cycle

Protection class acc. to EN 60529 IP65


Socket Form A acc. to DIN EN 175301-803 (included)

AC with rectifier plug

Further Options (Valves)

On request Further versions

Further Options (Solenoids)

XXXXXXX.9356 Protection class
 II 2 GD EEx me II T3 T 140 °C

On request Further versions

Supplementary equipment

XXXXX80.XXXX Valve with compression fitting

Power Consumption

According to DIN VDE 0580 at coil temperature of +20 °C. In operation the power consumption of the solenoid decreases by approx. 30 %.

Solenoid	DC ≡	AC ~	
		Inrush	Holding
9381 *	18 W	–	–
9382 *	–	20 VA	20 VA

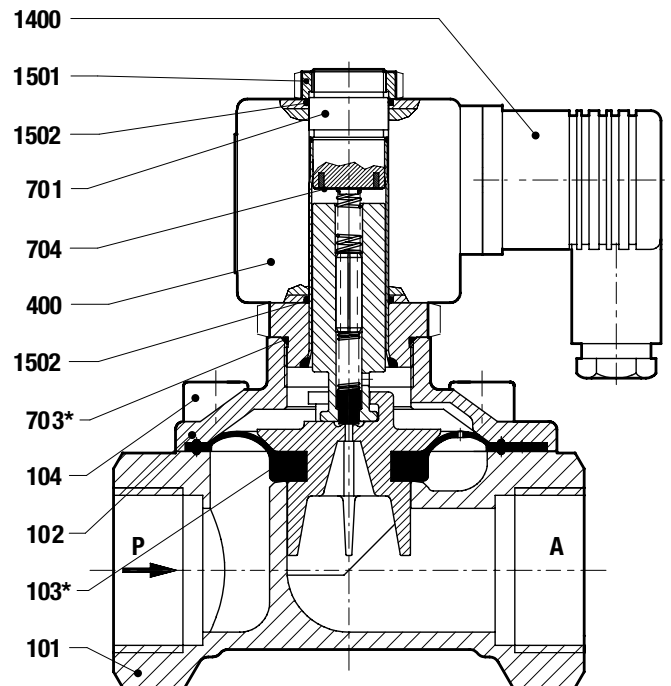
*  coil only

Attention!

The conditions imposed on the Ex approvals lead to reduction of the permissible standard temperature ranges in the cases of explosion protected solenoids.

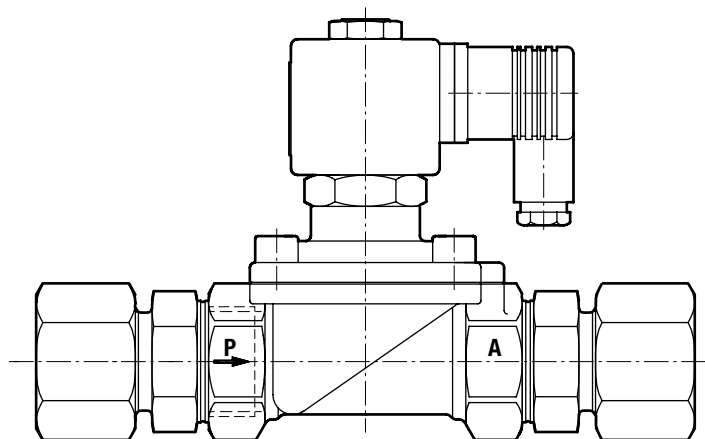
Section View

- 101 Valve body
- 102 Valve cover
- *103 Diaphragm, complete
- 104 Oval head cap screw up to G 1/2
Socket head cap screw from G 3/4
- 400 Solenoid
- 701 Core tube
- *703 O-ring
- 704 Round plate
- 1400 Socket (included)
- 1501 Hexagon nut
- 1502 O-ring



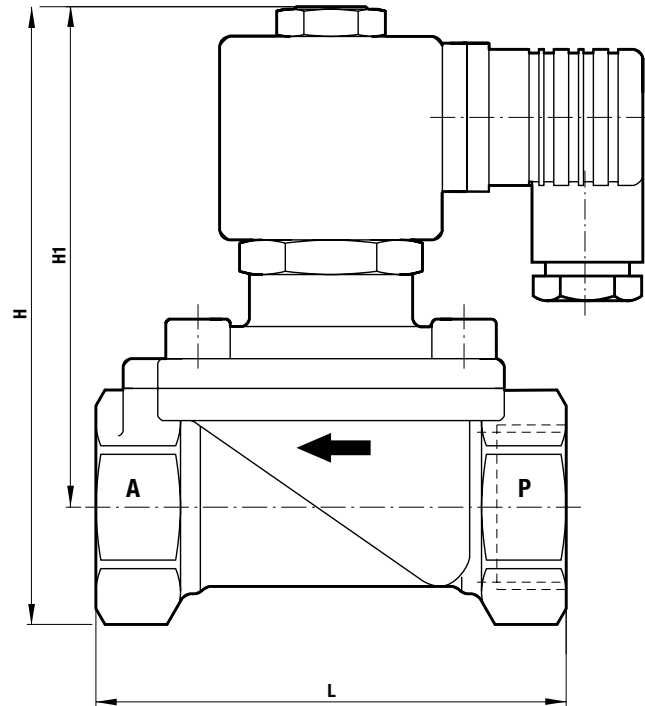
* These individual parts form a complete wearing unit.
When ordering spare parts please state Cat. No. and Series No.

Valve with compression fitting



General Dimensions

Solenoid rotatable 360°
 Socket turnable 4 x 90°
 (Socket included)



Part Number	Nominal Diameter (mm)	Connection Size	L (mm)	B* (mm)	H (mm)	H1 (mm)
8237000.938x	8	G 1/4	67	54	105	90
8237100.938x	10	G 3/8	67	54	105	90
8237200.938x	12	G 1/2	67	54	105	90
8237300.938x	20	G 3/4	95	70	130	105
8237400.938x	25	G 1	95	70	130	105

* B = max. width

Note to Pressure Equipment Directive (PED):

The valves of this series, including the connection size DN 25 (G 1), are according to Art. 3 § 3 of the Pressure Equipment Directive (PED) 97/23/EG. This means interpretation and production are in accordance to engineers practice wellknown in the member countries.

The CE-sign at the valve refers not to the PED. Thus the declaration of conformity is not longer applicable for this directive.

For valves > DN 25 (G 1) Art. 3 § (1) No.1.4 applies.

The basic requirements of the Enclosure I of the PED must be fulfilled. The CE-sign at the valve includes the PED. A certificate of conformity of this directive will be available on request.

Note to Electromagnetic Compatibility Guideline (EEC):

The valves shall be provided with an electrical circuit which ensures the limits of the harmonised standards EN 61000-6-3 and EN 61000-6-1 are observed, and hence the requirements of the Electromagnetic Compatibility Guideline (2004/108/EG) satisfied.