

2/2-way valves DN 20 to DN 80

For air

Remote pilot operated

Internal threads G 3/4 up to G 3 or 3/4 NPT up to 3 NPT

Operating pressure 0.4 to 8 bar

82900

82910

Description (standard valve)

Control via separate pilot valve or pilot controller.

Switching function:	normally closed
Flow direction:	determined
Coil gas temperature:	-40 °C to max. +85 °C
Ambient temperature:	-20 °C to max. +85 °C
Mounting position:	optional
Pilot connection:	G 1/8 resp. 1/8 NPT



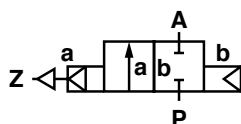
Material

Body:	Aluminium
Seat seal:	TPE

Features

- High flow rate
- Clear compact design
- One-piece diaphragm

Symbol



Ordering information

To order, quote model number from table overleaf, e. g. 8290300.0000 for a G 3/4 valve.

Characteristic Data

Valves

Part Number	Nominal Diameter (mm)	Connection Size	Valve Length (mm)	Operating Pressure		k _v -value * (Base m ³ /h)	Weight Total (kg)
				min.	max. (bar)		
8290300.0000 8291300.0000	20	G 3/4 3/4 NPT	95.0	0.4	8	18	0.32
8290400.0000 8291400.0000	25	G 1 1 NPT	95.0	0.4	8	22	0.29
8290600.0000 8291600.0000	40	G 1 1/2 1 1/2 NPT	135.0	0.4	8	59	0.97
8290700.0000 8291700.0000	50	G 2 2 NPT	170.0	0.4	8	80	1.79
8290800.0000 8291800.0000	65	G 2 1/2 2 1/2 NPT	170.0	0.4	8	93	2.07
8290900.0000 8291900.0000	80	G 3 3 NPT	239.5	0.4	7	172	3.70

* C_v-value (US) ≈ k_v-value x 1.2

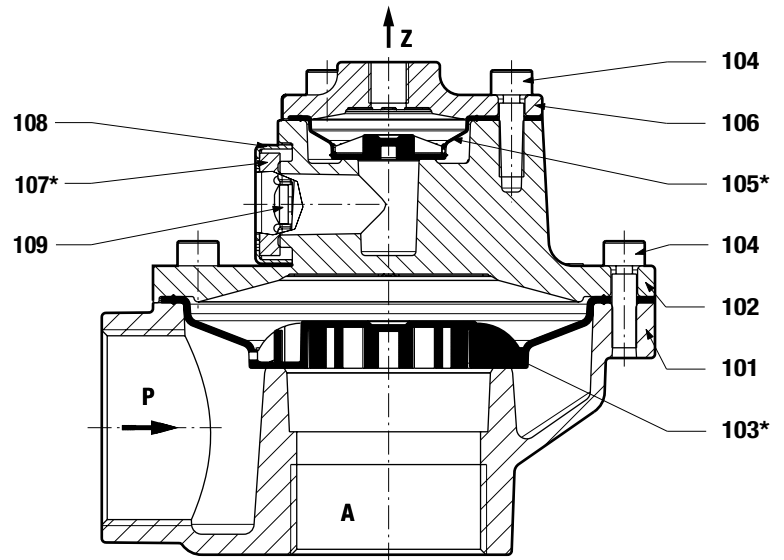
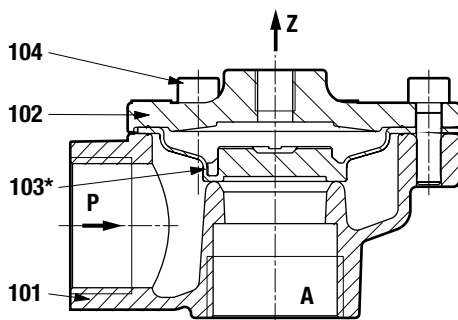
Further Options (Valves)

- XXXXX54.XXXX Flange version without valve body
- XXXXX62.XXXX Crude gas temperature version -20 to +100 °C
Seat seal TPE
Ambient temperature -40 to +85 °C
Coil gas temperature -20 to +85 °C
- XXXXX63.XXXX Crude gas temperature version -20 to +140 °C
Seat seal TPE
Ambient temperature -40 to +85 °C
Coil gas temperature -20 to +85 °C
- On request Further versions

Section View

G 3/4 and 3/4 NPT
G 1 and 1 NPT

G 1 1/2 and 1 1/2 NPT
G 2 and 2 NPT
G 2 1/2 and 2 1/2 NPT
G 3 and 3 NPT



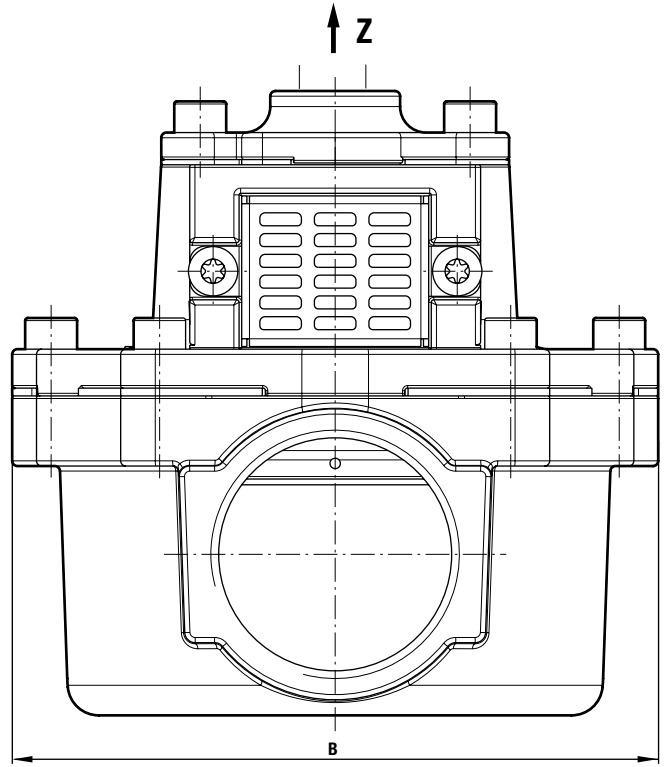
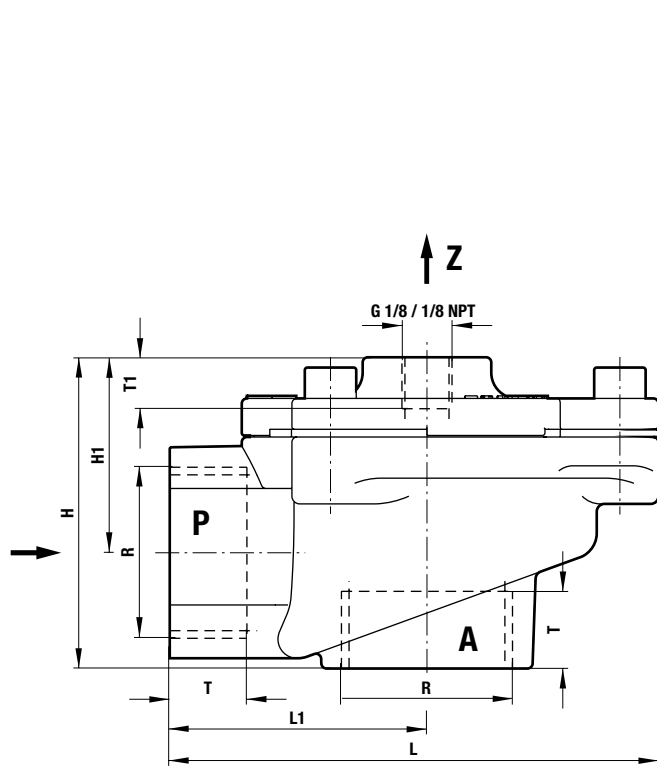
- 101 Valve body
- 102 Valve cover
- *103 Diaphragm
- 104 Socket head cap screw
- *105 Diaphragm
- 106 Valve cover
- *107 Silencer
- 108 Silencer housing
- 109 Socket head cap screw

* These individual parts form a complete wearing unit.
When ordering spare parts please state Cat. No. and Series No.

General Dimensions

G 3/4 and 3/4 NPT
G 1 and 1 NPT

G 1 1/2 and 1 1/2 NPT
G 2 and 2 NPT
G 2 1/2 and 2 1/2 NPT
G 3 and 3 NPT



Part Number	R Connection Size	T (mm)	T1 (mm)	B (mm)	H (mm)	H1 (mm)	L (mm)	L1 (mm)
8290300.0000 8291300.0000	G 3/4 3/4 NPT	16 14	10	80.0	61.5	39.0	95.0	50
8290400.0000 8291400.0000	G 1 1 NPT	18 17	10	80.0	61.5	39.0	95.0	50
8290600.0000 8291600.0000	G 1 1/2 1 1/2 NPT	22 18	10	124.5	122.0	91.0	135.0	70
8290700.0000 8291700.0000	G 2 2 NPT	25 18	10	140.0	145.0	104.0	170.0	95
8290800.0000 8291800.0000	G 2 1/2 2 1/2 NPT	25 24	10	140.0	160.0	115.0	170.0	95
8290900.0000 8291900.0000	G 3 3 NPT	33 28	10	196.0	176.0	123.5	239.5	143

Note to Pressure Equipment Directive (PED):
The valves of this series are according to Art. 3 § 3 of the Pressure Equipment Directive (PED) 97/23/EG.

This means interpretation and production are in accordance to engineers practice wellknown in the member countries.
A certificate of conformity ist not designated.