

In the following parts list, assemblies are printed in capital letters. Parts that are included with an assembly are listed and indented directly beneath it. When an assembly is ordered, the assembly and all parts indented beneath it are included in the shipment.

When an assembly lists a letter code in the **USED ON** column, parts that list the same letter code are used in that assembly. Parts coded **A** are used in the Assembly coded **A**, parts coded **B** are used in the Assembly coded **B**, etc.

ITEM	DESCRIPTION	PART NO.	QTY	USED ON
1	OPTIONAL MECHANICAL SERVICE INDICATOR ASSY .....	5797-50	1	
2	● Screw .....	9F08-15	2	
3	● Body, nylon .....	Not available separately-order item 1	1	
4	● Ring support .....	Not available separately-order item 1	1	
5	● Diaphragm .....	Not available separately-order item 1	1	
6	Body .....	Not normally replaced	1	
7	OPTIONAL ELECTRICAL SERVICE INDICATOR ASSY .....	4020-51R	1	
8	● Screw .....	9F08-13	2	
9	● Switch .....	Not available separately-order item 7	1	
10	● Seal .....	Not available separately-order item 7	1	
11	● CONNECTOR ASSY .....	4346-01R	1	
12	● Screw .....	Not available separately-order item 11	1	
13	● Seal .....	Not available separately-order item 11	1	

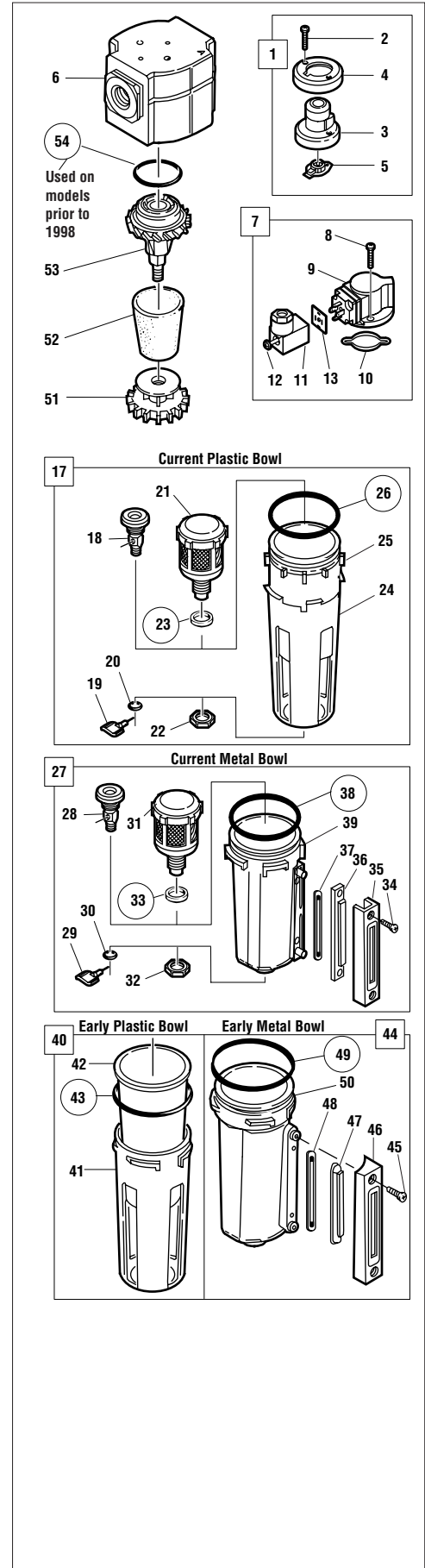
Items 14 through 16 are not used in this parts list

17	PLASTIC BOWL & GUARD ASSY, 1/4 turn manual drain .....	4325-51R	1	A
17	PLASTIC BOWL & GUARD ASSY, automatic drain .....	4325-52R	1	B
18	● MANUAL DRAIN ASSY, 1/4 turn .....	619-50	1	A
19	● Valve, drain .....	617-89	1	A
20	● O-ring .....	2307-05	1	A
21	● AUTOMATIC DRAIN ASSY, 1/8 PTF Outlet * .....	3000-10	1	B
22	● Nut .....	2797-89	1	B
23	● Gasket (service kit item) .....	2811-01	1	B
24	● Guard, bowl .....	4326-01	1	AB
25	● Bowl, plastic .....	Not normally replaced	1	AB
26	● O-ring (service kit item) .....	2316-38	1	AB
27	METAL BOWL ASSY, sight glass, 1/4 turn manual drain .....	4303-51R	1	C
27	METAL BOWL ASSY, sight glass, automatic drain .....	4303-52R	1	D
28	● MANUAL DRAIN ASSY, 1/4 turn .....	619-50	1	C
29	● Valve, drain .....	617-89	1	C
30	● O-ring .....	2307-05	1	C
31	● AUTOMATIC DRAIN ASSY, 1/8 PTF Outlet * .....	3000-10	1	D
32	● Nut .....	2797-89	1	D
33	● Gasket (service kit item) .....	2811-01	1	D
34	● Screw (service kit item) .....	9P06-12	2	CD
35	● Clamp, sight glass .....	4323-01	1	CD
36	● Lens, sight glass (service kit item) .....	4321-88	1	CD
37	● Seal, sight glass lens (service kit item) .....	4322-87	1	CD
38	● O-ring, bowl (service kit item) .....	2316-38	1	CD
39	● Bowl, metal .....	Not normally replaced	1	CD
40	PLASTIC BOWL & GUARD, early models .....	Not available - order item 17	1	
41	● Guard, bowl .....	Not available - order item 17	1	
42	● Bowl, plastic .....	Not available - order item 17	1	
43	● O-ring (service kit item) .....	2316-38	1	
44	METAL BOWL, early models .....	Not available - order item 27	1	
45	● Screw .....	Not available	2	
46	● Clamp, sight glass .....	Not available	1	
47	● Lens, sight glass .....	Not available	1	
48	● Seal, sight glass lens .....	Not available	1	
49	● O-ring, bowl (service kit item) .....	2316-38	1	
50	● Bowl, metal .....	Not available - order item 27	1	
51	Baffle .....	3140-88	1	
52	Element, 5-micron .....	4338-04	1	
	Element, 25-micron .....	4338-07	1	
	Element, 40-micron .....	4338-05	1	
	Element, screen, 75-micron .....	4338-10	1	
53	Louver - center post .....	4334-89	1	
54	O-ring, used only on models manufactured prior to 1998 (service kit item) .....	2305-25	1	

### SERVICE KITS & ACCESSORIES

Service kit - includes items circled on exploded view .....	4380-700
Current metal bowl liquid level lens kit - Items 34, 36, 37, 38 .....	4380-050
Universal wall mounting bracket kit .....	4324-50

\* For optional low flow automatic drain with 1/8 PTF outlet, specify 3000-11.  
For standard automatic drain with ISO G1/8 outlet, specify 3000-97.



In the following parts list, assemblies are printed in capital letters. Parts that are included with an assembly are listed and indented directly beneath it. When an assembly is ordered, the assembly and all parts indented beneath it are included in the shipment.

When an assembly lists a letter code in the **USED ON** column, parts that list the same letter code are used in that assembly. Parts coded **A** are used in the Assembly coded **A**, parts coded **B** are used in the Assembly coded **B**, etc.

ITEM	DESCRIPTION	PART NO.	QTY	USED ON
1	MECHANICAL SERVICE INDICATOR ASSY	5797-50	1	A
2	• Screw	9F08-15	2	B
3	• Body, nylon	Not available separately-order item 1	1	A
4	• Ring support	Not available separately-order item 1	1	A
5	• Diaphragm	Not available separately-order item 1	1	A
6	Body, standard	Not normally replaced	1	A
7	Body, high flow	Not normally replaced	1	A
8	OPTIONAL ELECTRICAL SERVICE INDICATOR ASSY	4020-51R	1	A
9	• Screw	9F08-13	2	B
10	• Switch	Not available separately-order item 8	1	A
11	• Seal	Not available separately-order item 8	1	A
12	• CONNECTOR ASSY	4346-01R	1	A
13	• • Screw	Not available separately-order item 12	1	A
14	• • Seal	Not available separately-order item 12	1	A

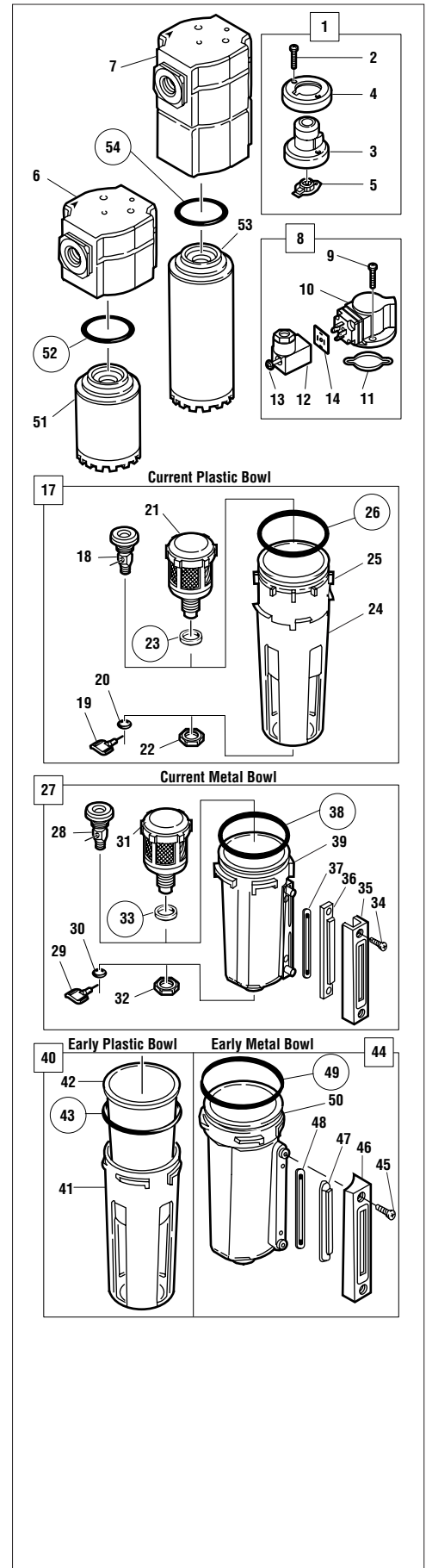
Items 15 and 16 are not used in this parts list

17	PLASTIC BOWL & GUARD ASSY, 1/4 turn manual drain	4325-51R	1	A
17	PLASTIC BOWL & GUARD ASSY, automatic drain	4325-52R	1	B
18	• MANUAL DRAIN ASSY, 1/4 turn	619-50	1	A
19	• • Valve, drain	617-89	1	A
20	• • O-ring	2307-05	1	A
21	• AUTOMATIC DRAIN ASSY, 1/8 PTF Outlet *	3000-10	1	B
22	• • Nut	2797-89	1	B
23	• • Gasket (service kit item)	2811-01	1	B
24	• Guard, bowl	4326-01	1	AB
25	• Bowl, plastic	Not normally replaced	1	AB
26	• O-ring (service kit item)	2316-38	1	AB
27	METAL BOWL ASSY, sight glass, 1/4 turn manual drain	4303-51R	1	C
27	METAL BOWL ASSY, sight glass, automatic drain	4303-52R	1	D
28	• MANUAL DRAIN ASSY, 1/4 turn	619-50	1	C
29	• • Valve, drain	617-89	1	C
30	• • O-ring	2307-05	1	C
31	• AUTOMATIC DRAIN ASSY, 1/8 PTF Outlet *	3000-10	1	D
32	• • Nut	2797-89	1	D
33	• • Gasket (service kit item)	2811-01	1	D
34	• Screw (service kit item)	9P06-12	2	CD
35	• Clamp, sight glass	4323-01	1	CD
36	• Lens, sight glass (service kit item)	4321-88	1	CD
37	• Seal, sight glass lens (service kit item)	4322-87	1	CD
38	• O-ring, bowl (service kit item)	2316-38	1	CD
39	• Bowl, metal	Not normally replaced	1	CD
40	PLASTIC BOWL & GUARD, early models	Not available - order item 17	1	
41	• Guard, bowl	Not available - order item 17	1	
42	• Bowl, plastic	Not available - order item 17	1	
43	• O-ring (service kit item)	2316-38	1	
44	METAL BOWL, early models	Not available - order item 27	1	
45	• Screw	Not available	2	
46	• Clamp, sight glass	Not available	1	
47	• Lens, sight glass	Not available	1	
48	• Seal, sight glass lens	Not available	1	
49	• O-ring, bowl (service kit item)	2316-38	1	
50	• Bowl, metal	Not available - order item 27	1	
51	ELEMENT ASSY, standard body	4344-01	1	
52	• O-ring	2305-25	1	
53	ELEMENT ASSY, high flow body	4344-02	1	
54	• O-ring	2305-25	1	

### SERVICE KITS & ACCESSORIES

Service kit - includes items circled on exploded view	4380-730
Current metal bowl liquid level lens kit - Items 34, 36, 37, 38	4380-050
Universal wall mounting bracket kit	4324-50

\* For optional low flow automatic drain with 1/8 PTF outlet, specify 3000-11.  
For standard automatic drain with ISO G1/8 outlet, specify 3000-97.

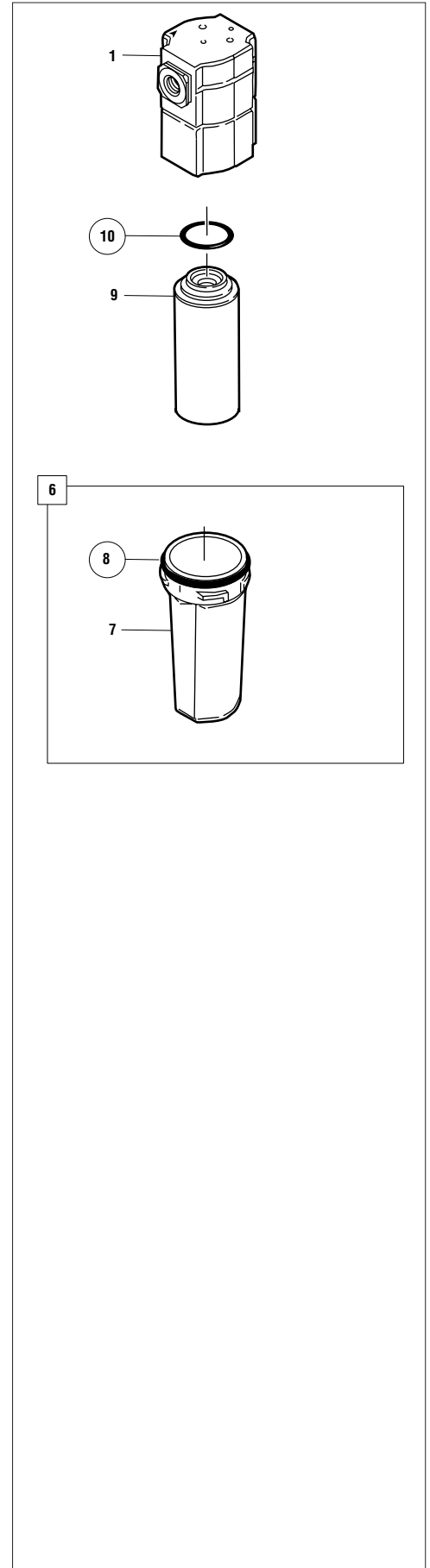


In the following parts list, assemblies are printed in capital letters. Parts that are included with an assembly are listed and indented directly beneath it. When an assembly is ordered, the assembly and all parts indented beneath it are included in the shipment.

ITEM	DESCRIPTION	PART NO.	QTY
1	Body, high flow .....	Not normally replaced	1
Items 2 through 5 are not used in this parts list			
6	METAL BOWL ASSY, Closed bottom .....	4358-55R	1
7	• Bowl, metal .....	Not normally replaced	1
8	• O-ring .....	2316-38	1
9	ELEMENT ASSY, High flow body .....	4341-01	1
10	• O-ring .....	2305-25	1

**SERVICE KITS & ACCESSORIES**

Service kit - includes items circled on exploded view .....	4380-750
Universal wall mounting bracket kit .....	4324-50

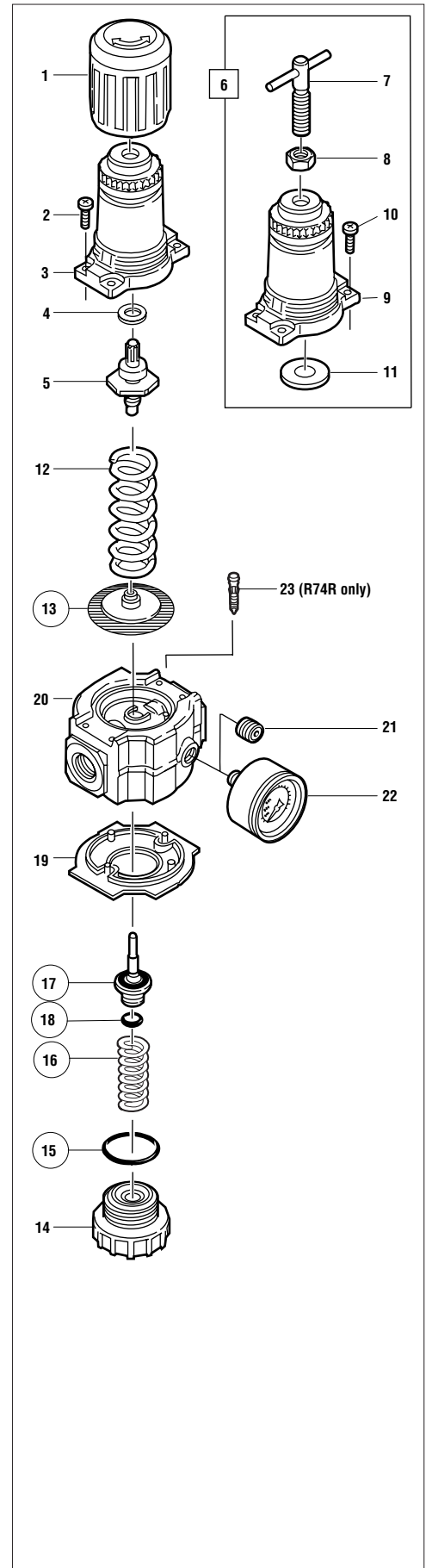


In the following parts list, assemblies are printed in capital letters. Parts that are included with an assembly are listed and indented directly beneath it. When an assembly is ordered, the assembly and all parts indented beneath it are included in the shipment.

ITEM	DESCRIPTION	PART NO.	QTY
1	Knob, adjusting.....	4307-89	1
2	Screw .....	9PM5-12	4
3	Bonnet .....	4305-89	1
4	Washer .....	5183-05	1
5	Screw, adjusting .....	4330-50	1
6	BONNET ASSEMBLY, T-bar adjustment.....	4305-50	1
7	• T-BAR ASSY, adjusting .....	1094-11	1
8	• • Nut, lock .....	5637-01	1
9	• Bonnet .....	Not normally replaced	1
10	• Screw .....	9PM5-12	4
11	• Spring rest .....	5297-88	1
12	Spring, regulating, 60 psig (4 bar).....	4332-01	1
	Spring, regulating, 150 psig (10 bar).....	4332-02	1
	Spring, regulating, 250 psig (17 bar).....	4332-03	1
13	Diaphragm (service kit item)		
	Relieving .....	4309-50	1
	Nonrelieving .....	4309-51	1
14	Plug, bottom .....	4327-89	1
15	O-ring (service kit item) .....	2306-23	1
16	Spring, valve (service kit item) .....	5205-05	1
17	VALVE ASSY (service kit item) .....	4308-50	1
18	• O-ring (service kit item) .....	2305-13	1
19	Cover, bottom .....	4336-89	1
20	Body .....	Not normally replaced	1
21	Plug, pipe, 1/4 PTF (service kit item) .....	2891-97	1
	Plug, pipe, ISO R1/4 (service kit item) .....	2845-02	1
	Plug, pipe, ISO R1/8 (service kit item) .....	2338-99	1
22	Gage, pressure, 1/4 PTF, 60 psig (4 bar) .....	18-013-208	1
	Gage, pressure, 1/4 PTF, 160 psig (10 bar) .....	18-013-209	1
	Gage, pressure, 1/4 PTF, 300 psig (20 bar) .....	18-013-210	1
	Gage, pressure, ISO R1/4, 4 bar .....	18-013-266	1
	Gage, pressure, ISO R1/4, 10 bar .....	18-013-260	1
	Gage, pressure, ISO R1/4, 25 bar .....	18-013-267	1
	Gage, pressure, ISO R1/8, 4 bar .....	18-013-012	1
	Gage, pressure, ISO R1/8, 10 bar .....	18-013-013	1
	Gage, pressure, ISO R1/8, 25 bar .....	18-013-014	1
23	Valve, reverse flow, used only on R74R reverse flow regulators.....	773-06	1

### SERVICE KITS & ACCESSORIES

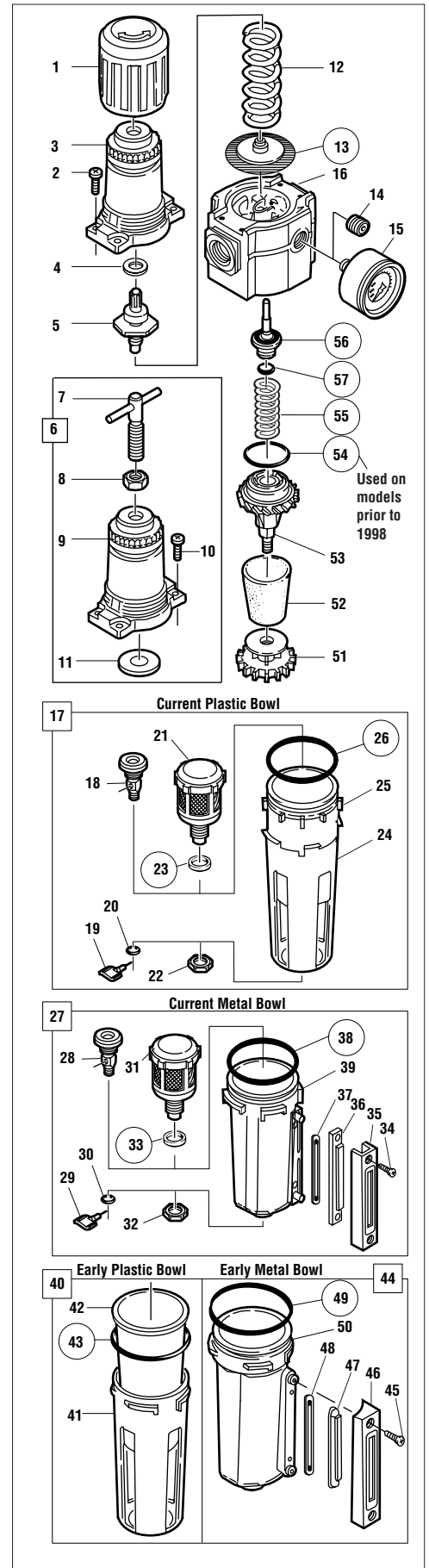
Service kit, relieving - includes items circled on exploded view .....	4381-700
Service kit, nonrelieving - includes items circled on exploded view .....	4381-701
Kit, pipe plug, 1/4 PTF - item 21 - contains two .....	3724-05
Kit, pipe plug, ISO R1/8 - item 21 - contains two .....	3723-06
Kit, pipe plug, ISO R1/4 - item 21 - contains two .....	3724-09
Wall mounting bracket kit .....	4324-50
Panel mount nut .....	4348-89
Tamper resistant cover and seal wire (use only with knob adjustment) .....	4355-51



In the following parts list, assemblies are printed in capital letters. Parts that are included with an assembly are listed and indented directly beneath it. When an assembly is ordered, the assembly and all parts indented beneath it are included in the shipment.

When an assembly lists a letter code in the **USED ON** column, parts that list the same letter code are used in that assembly. Parts coded **A** are used in the Assembly coded **A**, parts coded **B** are used in the Assembly coded **B**, etc.

ITEM	DESCRIPTION	PART NO.	QTY	USED ON
1	Knob, adjusting.....	4307-89	1	
2	Screw .....	9PM5-12	4	
3	Bonnet .....	4305-89	1	
4	Washer .....	5183-05	1	
5	Screw, adjusting .....	4330-50	1	
6	BONNET ASSEMBLY, T-bar adjustment.....	4305-50	1	
7	• T-BAR ASSY, adjusting .....	1094-11	1	
8	• Nut, lock .....	5637-01	1	
9	• Bonnet .....	Not normally replaced	1	
10	• Screw .....	9PM5-12	4	
11	• Spring rest .....	5297-88	1	
12	Spring, regulating, 60 psig (4 bar).....	4332-01	1	
	Spring, regulating, 150 psig (10 bar).....	4332-02	1	
	Spring, regulating, 250 psig (17 bar).....	4332-03	1	
13	Diaphragm, relieving (service kit item).....	4309-50	1	
	Diaphragm, nonrelieving (service kit item).....	4309-51	1	
14	Plug, pipe, 1/4 PTF (service kit item).....	2891-97	1	
	Plug, pipe, ISO R1/8 (service kit item).....	2338-99	1	
	Plug, pipe, ISO R1/4 (service kit item).....	2845-02	1	
15	Gage, pressure, 1/4 PTF, 60 psig (4 bar).....	18-013-208	1	
	Gage, pressure, 1/4 PTF, 160 psig (10 bar).....	18-013-209	1	
	Gage, pressure, 1/4 PTF, 300 psig (20 bar).....	18-013-210	1	
	Gage, pressure, ISO R1/4, 4 bar.....	18-013-266	1	
	Gage, pressure, ISO R1/4, 10 bar.....	18-013-260	1	
	Gage, pressure, ISO R1/4, 25 bar.....	18-013-267	1	
	Gage, pressure, ISO R1/8, 4 bar.....	18-013-012	1	
	Gage, pressure, ISO R1/8, 10 bar.....	18-013-013	1	
	Gage, pressure, ISO R1/8, 25 bar.....	18-013-014	1	
16	Body .....	Not normally replaced	1	
17	PLASTIC BOWL & GUARD ASSY, 1/4 turn manual drain.....	4325-51R	1	A
17	PLASTIC BOWL & GUARD ASSY, automatic drain .....	4325-52R	1	B
18	• MANUAL DRAIN ASSY, 1/4 turn .....	619-50	1	A
19	• Valve, drain .....	617-89	1	A
20	• O-ring .....	2307-05	1	A
21	• AUTOMATIC DRAIN ASSY, 1/8 PTF Outlet * .....	3000-10	1	B
22	• Nut.....	2797-89	1	B
23	• Gasket (service kit item).....	2811-01	1	B
24	Guard, bowl .....	4326-01	1	AB
25	Bowl, plastic .....	Not normally replaced	1	AB
26	O-ring (service kit item) .....	2316-38	1	AB
27	METAL BOWL ASSY, sight glass, 1/4 turn manual drain.....	4303-51R	1	C
27	METAL BOWL ASSY, sight glass, automatic drain.....	4303-52R	1	D
28	• MANUAL DRAIN ASSY, 1/4 turn .....	619-50	1	C
29	• Valve, drain .....	617-89	1	C
30	• O-ring .....	2307-05	1	C
31	• AUTOMATIC DRAIN ASSY, 1/8 PTF Outlet * .....	3000-10	1	D
32	• Nut.....	2797-89	1	D
33	• Gasket (service kit item).....	2811-01	1	D
34	• Screw (service kit item).....	9P06-12	2	CD
35	• Clamp, sight glass .....	4323-01	1	CD
36	• Lens, sight glass (service kit item) .....	4321-88	1	CD
37	• Seal, sight glass lens (service kit item) .....	4322-87	1	CD
38	• O-ring, bowl (service kit item).....	2316-38	1	CD
39	• Bowl, metal.....	Not normally replaced	1	CD
40	PLASTIC BOWL & GUARD, early models .....	Not available - order item 17	1	
41	• Guard, bowl.....	Not available - order item 17	1	
42	Bowl, plastic .....	Not available - order item 17	1	
43	O-ring (service kit item) .....	2316-38	1	
44	METAL BOWL, early models .....	Not available - order item 27	1	
45	• Screw .....	Not available	2	
46	• Clamp, sight glass.....	Not available	1	
47	• Lens, sight glass .....	Not available	1	
48	• Seal, sight glass lens .....	Not available	1	
49	• O-ring, bowl (service kit item).....	2316-38	1	
50	• Bowl, metal.....	Not available - order item 27	1	

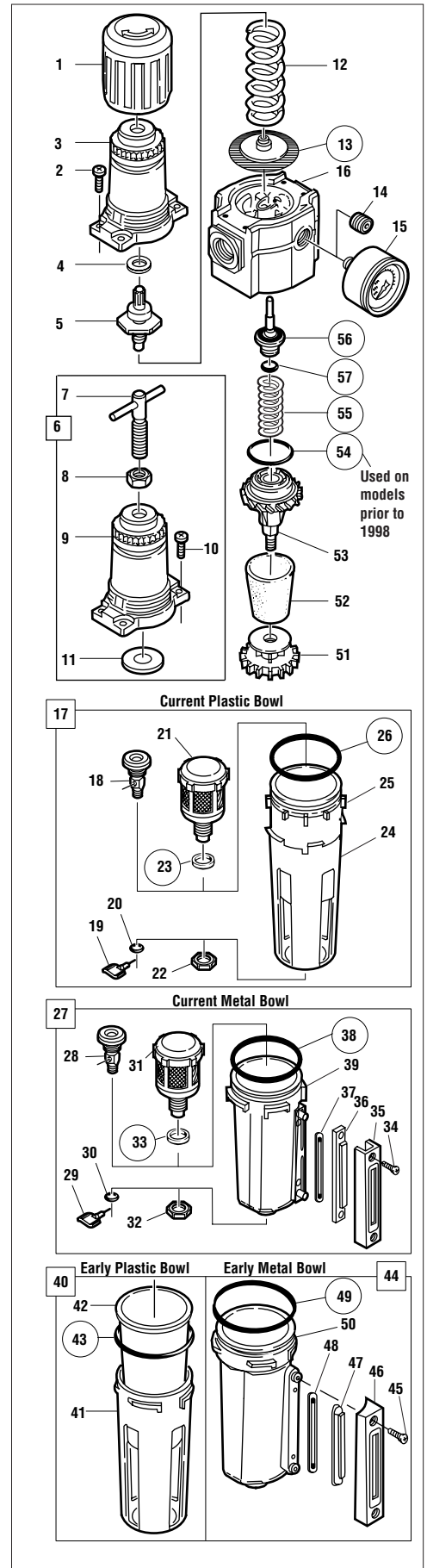


\* For optional low flow automatic drain with 1/8 PTF outlet, specify 3000-11.  
For standard automatic drain with ISO G1/8 outlet, specify 3000-97.

ITEM	DESCRIPTION	PART NO.	QTY	USED ON
51	Baffle	3140-88	1	
52	Element, 5-micron	4338-04	1	
	Element, 25-micron	4338-07	1	
	Element, 40-micron	4338-05	1	
	Element, screen, 75-micron	4338-10	1	
53	Louver - center post	4334-89	1	
54	O-ring, used only on models manufactured prior to 1998 (service kit item)	2305-25	1	
55	Spring, valve (service kit item)	5205-05	1	
56	VALVE ASSY (service kit item)	4308-50	1	
57	O-ring (service kit item)	2305-13	1	

**SERVICE KITS & ACCESSORIES**

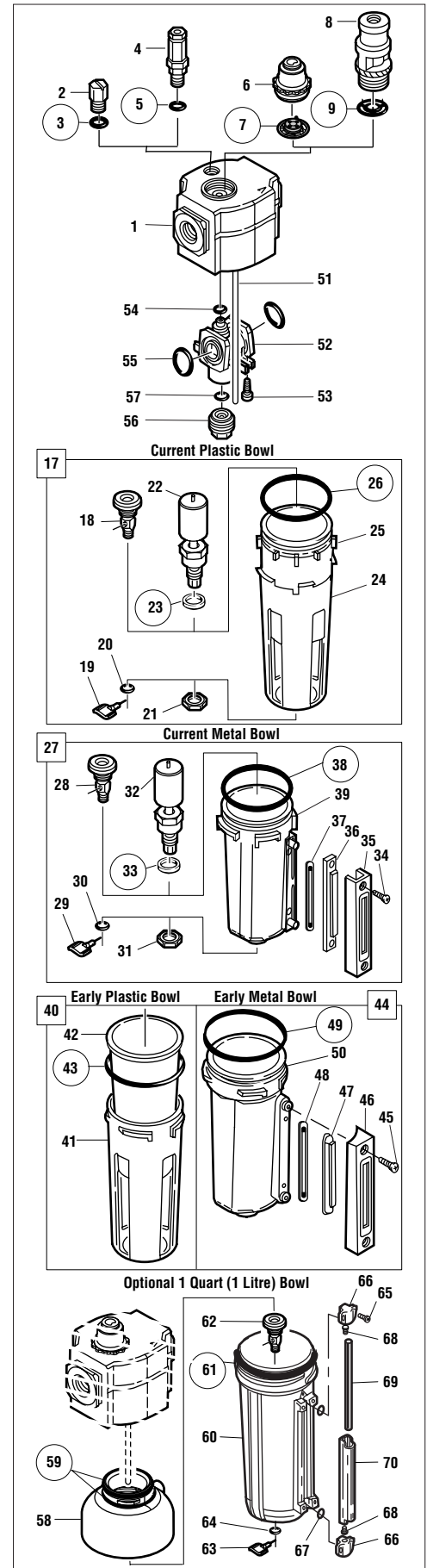
Service kit, relieving - Includes items circled on exploded view	4383-700
Service kit, nonrelieving - Includes items circled on exploded view	4383-701
Current metal bowl liquid level lens kit - Items 34, 36, 37, 38	4380-050
Kit, pipe plug, 1/4 PTF - item 14 - contains two	3724-05
Kit, pipe plug, ISO R1/8 - item 14 - contains two	3723-06
Kit, pipe plug, ISO R1/4 - item 14 - contains two	3724-09
Wall mounting bracket kit	4324-50
Panel mount nut	4348-89
Tamper resistant cover and seal wire (use only with knob adjustment)	4355-51



In the following parts list, assemblies are printed in capital letters. Parts that are included with an assembly are listed and indented directly beneath it. When an assembly is ordered, the assembly and all parts indented beneath it are included in the shipment.

When an assembly lists a letter code in the **USED ON** column, parts that list the same letter code are used in that assembly. Parts coded **A** are used in the Assembly coded **A**, parts coded **B** are used in the Assembly coded **B**, etc.

ITEM	DESCRIPTION	PART NO.	QTY	USED ON
1	Body	.....Not normally replaced	1	
2	FILL PLUG ASSY, ALUMINUM	.....5301-55	1	
3	● O-ring (service kit item)	.....2305-13	1	
4	QUICK FILL CAP ASSY	.....18-011-024	1	
5	● O-ring (service kit item)	.....2305-13	1	
6	SIGHT FEED DOME ASSY, red, plastic, Micro-fog models	.....4055-50	1	
	SIGHT FEED DOME ASSY, green, plastic, Oil-fog models	.....4055-51	1	
7	● Seal (service kit item)	.....4052-89	1	
8	SIGHT FEED DOME ASSY, Pyrex	.....5605-50	1	
9	● Seal (service kit item)	.....5769-89	1	
Items 10 through 16 are not used in this parts list				
17	PLASTIC BOWL AND GUARD ASSY, 1/4 turn manual drain	.....4325-50R	1	A
17	PLASTIC BOWL AND GUARD ASSY, remote fill	.....4325-54R	1	B
18	● MANUAL DRAIN ASSY, 1/4 turn	.....619-50	1	A
19	● Valve, drain	.....617-89	1	A
20	● O-ring	.....2307-05	1	A
21	● Nut	.....2797-89	1	B
22	● REMOTE FILL ASSY	.....5335-50	1	B
23	● Gasket (service kit item)	.....2811-01	1	B
24	● Guard, bowl	.....4326-01	1	AB
25	● Bowl, plastic	.....Not normally replaced	1	AB
26	● O-ring (service kit item)	.....2316-38	1	AB
27	METAL BOWL ASSY, sight glass, 1/4 turn manual drain	.....4303-50R	1	C
27	METAL BOWL ASSY, sight glass, remote fill	.....4303-54R	1	D
28	● MANUAL DRAIN ASSY, 1/4 turn	.....619-50	1	C
29	● Valve, drain	.....617-89	1	C
30	● O-ring	.....2307-05	1	C
31	● Nut	.....2797-89	1	D
32	● REMOTE FILL ASSY	.....5335-50	1	D
33	● Gasket (service kit item)	.....2811-01	1	D
34	● Screw (service kit item)	.....9P06-12	2	CD
35	● Clamp, sight glass	.....4323-01	1	CD
36	● Lens, sight glass (service kit item)	.....4321-88	1	CD
37	● Seal, sight glass lens (service kit item)	.....4322-87	1	CD
38	● O-ring, bowl (service kit item)	.....2316-38	1	CD
39	● Bowl, metal	.....Not normally replaced	1	CD
40	PLASTIC BOWL & GUARD, early models	.....Not available - order item 17	1	
41	● Guard, bowl	.....Not available - order item 17	1	
42	● Bowl, plastic	.....Not available - order item 17	1	
43	● O-ring (service kit item)	.....2316-38	1	
44	METAL BOWL, early models	.....Not available - order item 27	1	
45	● Screw	.....Not available	2	
46	● Clamp, sight glass	.....Not available	1	
47	● Lens, sight glass	.....Not available	1	
48	● Seal, sight glass	.....Not available	1	
49	● O-ring, bowl (service kit item)	.....2316-38	1	
50	● Bowl, metal	.....Not available - order item 27	1	
51	Siphon Tube			
	Standard bowl, cut to 106.4mm (4.19")	.....5655-01	1	
	Optional 1 quart (1 litre) bowl, cut to 255.5mm (10.06")	.....5655-01	1	
52	RED CARTRIDGE ASSY, Micro-Fog models	.....4356-50R	1	
	GREEN CARTRIDGE ASSY, Oil-Fog models	.....4356-51R	1	
53	● Screw	.....9F08-13	2	
54	● O-ring	.....705-01	1	
55	● O-ring	.....2305-20	2	
56	Fog generator (Micro-fog models)	.....5240-52	1	
	● Check valve (Oil-fog models)	.....5244-50	1	
57	● O-ring (Micro-fog models)	.....421-01	1	



ITEM	DESCRIPTION	PART NO.	QTY
58	Adapter, 1 litre (1 quart) reservoir .....	Not normally replaced	1
59	O-ring (service kit item) .....	2316-38	2
60	METAL RESERVOIR ASSY, 1 litre (1 quart) with sight glass and drain .....	5390-45	1
61	● O-ring (service kit item) .....	2306-53	1
62	● MANUAL DRAIN ASSY, 1/4 turn .....	619-50	1
63	● Valve, drain .....	617-89	1
64	● O-ring .....	2307-05	1
65	● Screw (service kit item) .....	9P06-10	4
66	● Bracket.....	3778-89	2
67	● O-ring (service kit item) .....	706-01	2
68	● Seal (service kit item) .....	5873-83	2
69	● Sight glass (service kit item).....	5872-03	1
70	● Sight glass guard (service kit item) .....	1218-89	1

**SERVICE KITS & ACCESSORIES**

Service kit - includes items circled on exploded view.....4382-700

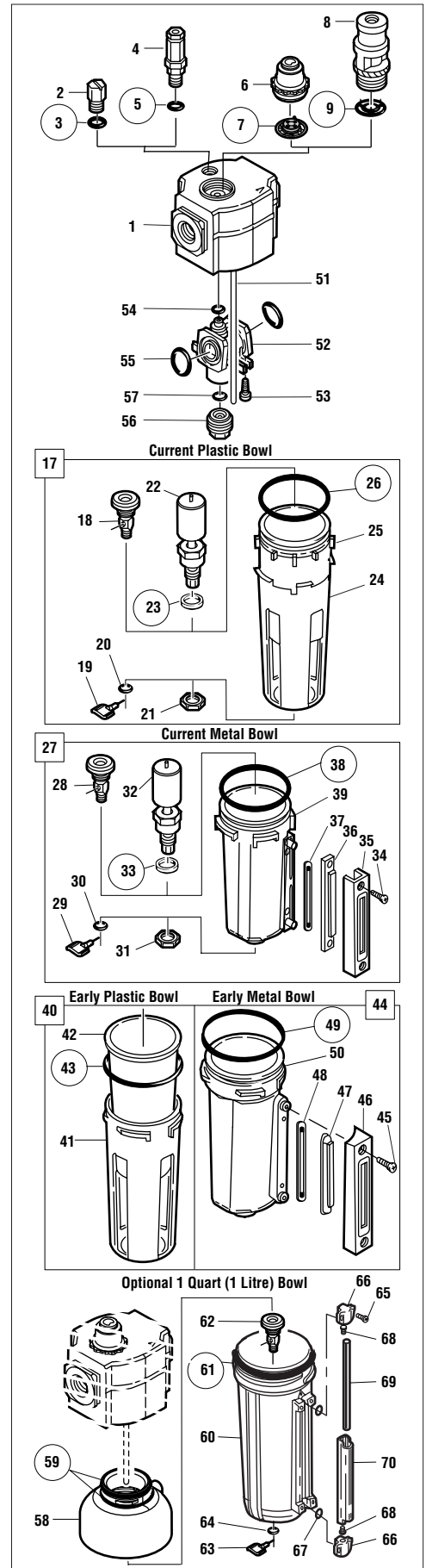
Liquid level lens kits:

Current metal bowl - Items 34, 36, 37, 38.....4380-050

Optional 1 litre (1 quart) metal bowl - Items 61, 65, 67 thru 70.....2273-22

Wall mounting bracket kit for use with standard bowls.....4324-50

Wall mounting bracket kit for use with optional 1 quart (1 litre) bowl.....4324-51



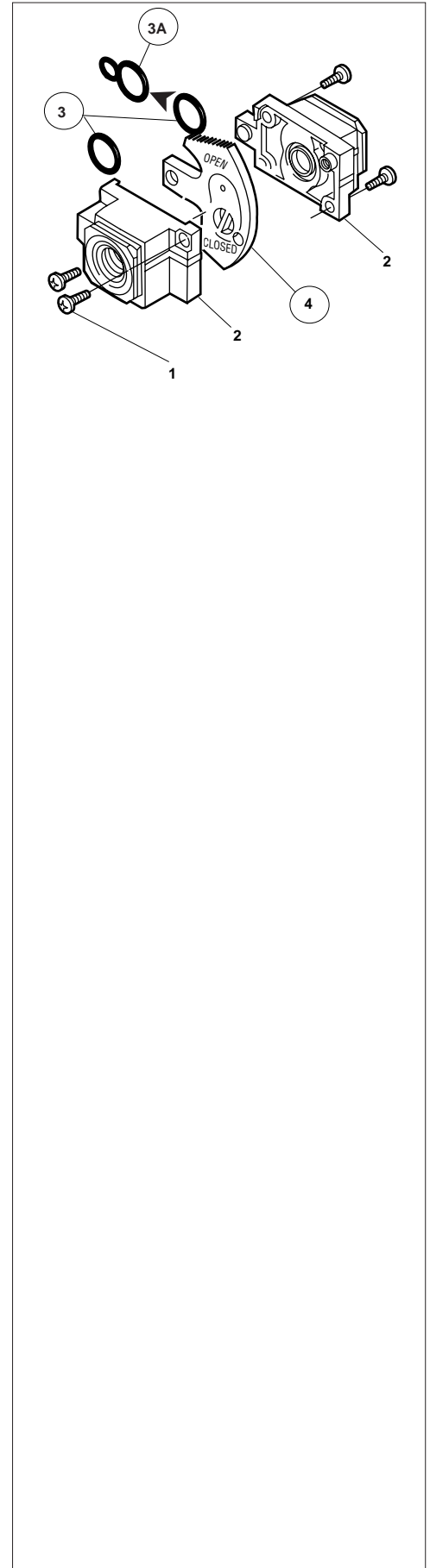


ITEM	DESCRIPTION	PART NO.	QTY
1	Screw .....	9P10-12	4
2	Body .....	Not normally replaced	2
3	O-ring		
	T74B (2-way Shutoff) o-ring on inlet and outlet.....	4350-88	2
	T74E (3-way Lockout) o-ring on inlet and outlet.....	4350-88	2
	T74H (3-way Shutoff) o-ring on inlet .....	4350-88	1
	T74T (3-way Shutoff) o-ring on inlet.....	4350-88	1
3A	Seal		
	T74H (3-way Shutoff) seal on outlet .....	4350-89	1
	T74T (3-way Shutoff) seal on outlet .....	4350-89	1
4	Slide		
	T74B (Black slide, padlocks in closed position only).....	4352-88	1
	T74E (Yellow slide, padlocks in closed position only) .....	4352-87	1
	T74H (Red slide, padlocks in closed and open positions).....	4352-02	1
	T74T (Red slide, padlocks in closed position only).....	4352-89	1

**SERVICE KITS & ACCESSORIES**

Service kit - includes items circled on exploded view

T74B (Black slide, padlocks in closed position only).....	4384-711
T74E (Yellow slide, padlocks in closed position only) .....	4384-710
T74H (Red slide, padlocks in closed and open positions).....	4384-712
T74T (Red slide, padlocks in closed position only).....	4384-713
Muffler - can be used only with the T74H and T74T (3-way Shutoff Valves) .....	MS001A

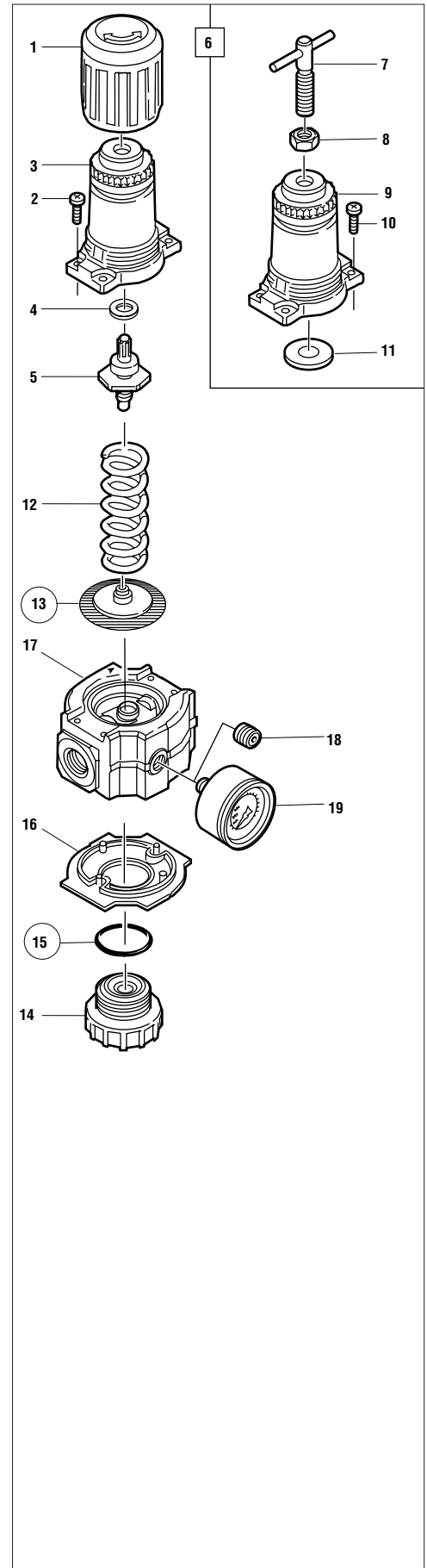


In the following parts list, assemblies are printed in capital letters. Parts that are included with an assembly are listed and indented directly beneath it. When an assembly is ordered, the assembly and all parts indented beneath it are included in the shipment.

ITEM	DESCRIPTION	PART NO.	QTY
1	Knob, adjusting.....	4307-88	1
2	Screw .....	9PM5-12	4
3	Bonnet .....	4305-89	1
4	Washer .....	5183-05	1
5	Screw, adjusting .....	4330-50	1
6	BONNET ASSEMBLY, T-bar adjustment.....	4305-50	1
7	• T-BAR ASSY, adjusting .....	1094-11	1
8	• Nut, lock .....	5637-01	1
9	• Bonnet .....	Not normally replaced	1
10	• Screw .....	9PM5-12	4
11	• Spring rest .....	5297-88	1
12	Spring, regulating, 60 psig (4 bar).....	4332-01	1
	Spring, regulating, 150 psig (10 bar).....	4332-02	1
	Spring, regulating, 250 psig (17 bar).....	4332-03	1
13	Diaphragm (service kit item) .....	4309-60	1
14	Plug, bottom .....	4327-89	1
15	O-ring (service kit item) .....	2306-23	1
16	Cover, bottom .....	4336-89	1
17	Body .....	Not normally replaced	1
18	Plug, pipe, 1/4 PTF (service kit item).....	2891-97	1
	Plug, pipe, ISO R1/8 (service kit item).....	2338-99	1
	Plug, pipe, ISO R1/4 (service kit item).....	2845-02	1
19	Gage, pressure, 1/4 PTF, 60 psig (4 bar) .....	18-013-208	1
	Gage, pressure, 1/4 PTF, 160 psig (10 bar).....	18-013-209	1
	Gage, pressure, 1/4 PTF, 300 psig (20 bar) .....	18-013-210	1
	Gage, pressure, ISO R1/4, 4 bar .....	18-013-266	1
	Gage, pressure, ISO R1/4, 10 bar .....	18-013-260	1
	Gage, pressure, ISO R1/4, 25 bar .....	18-013-267	1
	Gage, pressure, ISO R1/8, 4 bar .....	18-013-012	1
	Gage, pressure, ISO R1/8, 10 bar .....	18-013-013	1
	Gage, pressure, ISO R1/8, 25 bar .....	18-013-014	1

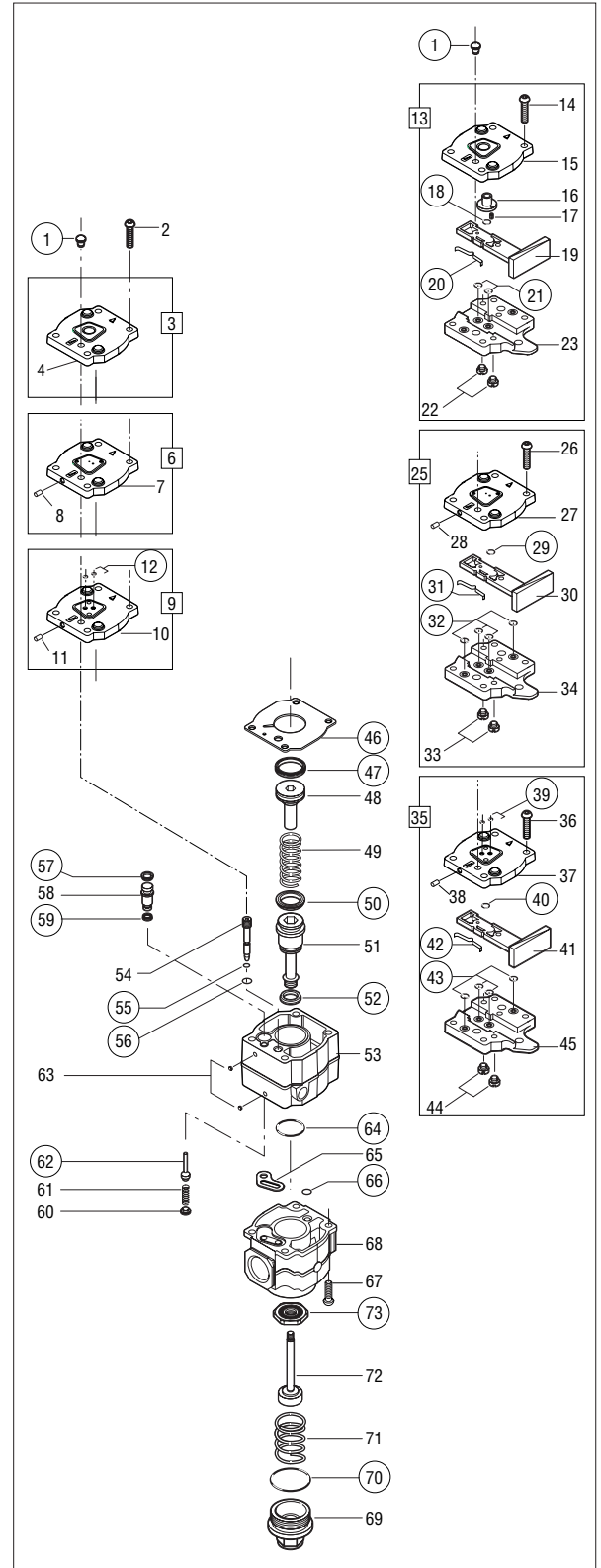
**SERVICE KITS & ACCESSORIES**

Service kit - includes items circled on exploded view.....	4384-700
Kit, pipe plug, 1/4 PTF - item 21 - contains two .....	3724-05
Kit, pipe plug, ISO R1/8 - item 21 - contains two .....	3723-06
Kit, pipe plug, ISO R1/4 - item 21 - contains two .....	3724-09
Wall mounting bracket kit.....	4324-50
Panel mount nut.....	4348-89
Tamper resistant cover and seal wire (use only with knob adjustment) .....	4355-51



In the following parts list, assemblies are printed in capital letters. Parts that are included with an assembly are listed and indented directly beneath it. When an assembly is ordered, the assembly and all parts indented beneath it are included in the shipment.

ITEM QTY.	DESCRIPTION	PART NO.	
1	Tamper resitant plug	74562-01	1
2	Button head screw, M6 x 25	74557-25	4
3	TOP PLATE KIT, AIR PILOT (ISO)	74622-98	1
4	• Top plate, Rc1/4 pilot port	74622-02	1
3	TOP PLATE KIT, AIR PILOT (PTF)	74622-96	1
4	• Top plate, 1/4 PTF pilot port	74622-03	1
6	TOP PLATE KIT, SOLENOID	74622-97	1
7	• Top plate, solenoid	74622-01	1
8	• Lee plug	4284-01	1
9	TOP PLATE KIT, CNOMO	74622-99	1
10	• Top plate, CNOMO	74622-04	1
11	• Lee plug	4284-01	1
12	• O-ring	421-01	2
13	LOCKOUT TOP PLATE, AIR PILOT		
	For Rc 1/4 (red lockout slide)	74567-10	1
	For 1/4 PTF (yellow lockout slide)	74567-15	1
14	• Button head screw, M6 x 35	74557-35	4
15	• Top plate, air pilot	74550-12	1
16	• Port adaptor Rc1/4	74565-01	1
	• Port adaptor PTF 1/4	74565-02	1
17	• Spring pin	74564-02	1
18	• O-ring	720-01	1
19	• Lockout slide (red)	13397-98	1
	• Lockout slide (yellow)	13397-99	1
20	• Lockout spring	13395-01	1
21	• O-ring	720-01	2
22	• Cheesehead screw, M5 x 8	6291-08	2
23	• Lockout body	74566-89	1
25	LOCKOUT TOP PLATE, SOLENOID		
	(red lockout slide)	74567-09	1
	(yellow lockout slide)	74567-21	1
26	• Button head screw, M6 x 35	74557-35	4
27	• Top plate, solenoid	74622-01	1
28	• Lee beta plug	4284-01	1
29	• O-ring	720-01	1
30	• Lockout slide (red)	13397-98	1
	• Lockout slide (yellow)	13397-99	1
31	• Lockout spring	13395-01	1
32	• O-ring	720-01	4
33	• Cheesehead screw, M5 x 8	6291-08	2
34	• Lockout body	74566-01	1
35	LOCKOUT TOP PLATE, CNOMO		
	(red lockout slide)	74567-11	1
	(yellow lockout slide)	74567-22	1
36	• Button head screw, M6 x 35	74557-35	4
37	• Top plate, CNOMO	74622-04	1
38	• Lee beta plug	4284-01	1
39	• O-ring	421-01	2
40	• O-ring	720-01	1
41	• Lockout slide (red)	13397-98	1
	• Lockout slide (yellow)	13397-99	1
42	• Lockout spring	13395-01	1
43	• O-ring	720-01	4
44	• Cheesehead screw, M5 x 8	6291-08	2
45	• Lockout body	74566-01	1
46	Gasket, top plate	74556-01	1
47	Double acting seal, Δ30 mm	74543-30	1
48	Exhaust piston	74546-01	1
49	Upper exhaust valve spring	74559-01	1
50	Seal, Ø30 mm	74542-30	1
51	Soft start spool	74548-01	1
52	Seal, Ø25 mm, soft start spool	74542-25	1
53	Intermediate body	74549-02	1
54	Flow adjuster	74551-01	1
55	O-ring, flow adjuster	706-01	1
56	Gasket, flow adjuster	74555-01	1
57	Seal, Ø13 mm, feed spool	74542-13	1
58	Feed spool	74554-01	1
59	Seal, Ø10 mm, feed spool	74542-10	1
60	Lower spring rest	74553-01	1
61	Feed valve spring	74561-01	1



ITEM	DESCRIPTION	PART NO.	QTY.
62	Feed valve pin (moulded)	74552-89	1
63	Filter	74563-01	2
64	O-ring, intermediate body	2263-01	1
65	Gasket, flow adjuster	74555-01	1
66	O-ring, intermediate body	521-99	1
67	Button head screw, M6 x 16	74557-16	4
68	Body	74597-01	1
69	Exhaust bonnet, G1/2	74544-03	1
69	Exhaust bonnet, 1/2 PTF	74544-04	1
70	O-ring, exhaust bonnet	74239-20	1
71	Spring, soft start valve	74560-01	1
72	Exhaust valve (moulded)	74545-89	1
73	Main valve (moulded)	74547-89	1

**SERVICE KITS & ACCESSORIES**

Service kit - items 1, (12, 39), (18, 29, 40), (20, 31, 42), (21, 32, 43),  
46, 47, 50, 52, 55, 56, 57, 59, 62, 64, 66, 70, 73.....4384-220

