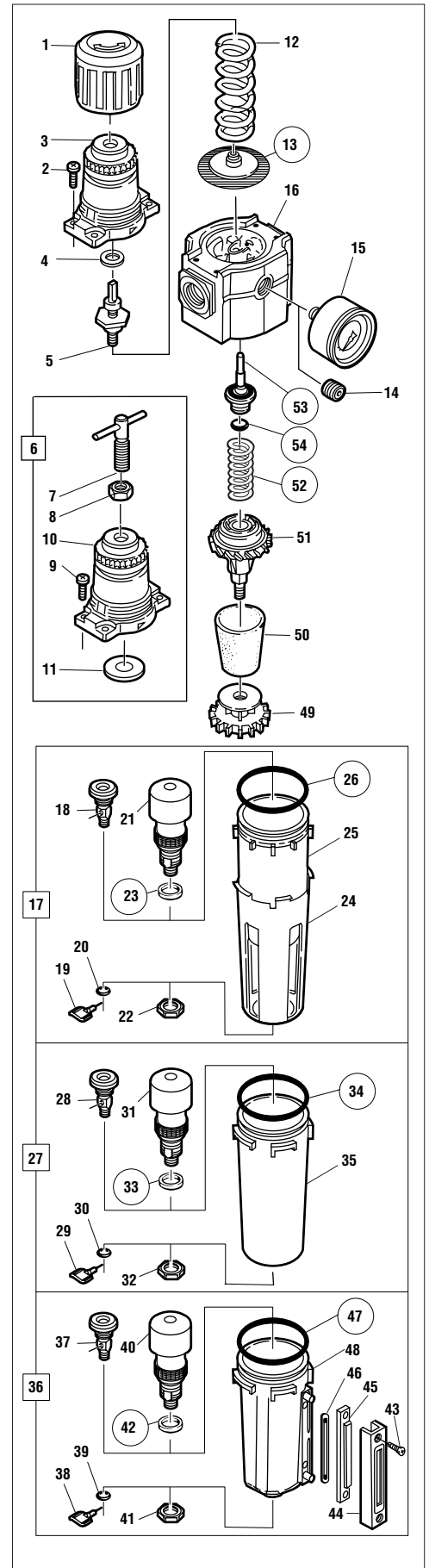


In the following parts list, assemblies are printed in capital letters. Parts that are included with an assembly are listed and indented directly beneath it. When an assembly is ordered, the assembly and all parts indented beneath it are included in the shipment.

When an assembly lists a letter code in the **USED ON** column, parts that list the same letter code are used in that assembly. Parts coded **A** are used in the Assembly coded **A**, parts coded **B** are used in the Assembly coded **B**, etc.

ITEM	DESCRIPTION	PART NO.	QTY	USED ON
1	Knob, adjusting.....	4407-89	1	
2	Screw	9PM4-13	4	
3	Bonnet	4405-89	1	
4	Washer, thrust	5183-01	1	
5	Screw, adjusting	5675-51	1	
6	BONNET ASSY, T-bar adjustment	4405-51	1	
7	• T-bar and lock nut.....	584-50	1	
8	• Nut.....	575-01	1	
9	• Screw	9PM4-13	4	
10	• Bonnet	Not available separately	1	
11	• Spring rest	5044-89	1	
12	Spring, regulating, 60 psig (4 bar).....	4432-01	1	
	Spring, regulating, 150 psig (10 bar).....	4432-02	1	
	Spring, regulating, 250 psig (17 bar).....	4432-03	1	
13	Diaphragm, relieving (service kit item).....	4409-50	1	
	Diaphragm, non-relieving (service kit item).....	4409-51	1	
14	Plug, pipe, 1/4 PTF (service kit item).....	2891-97	2	
	Plug, pipe, 1/4 ISO Rc (service kit item).....	2845-02	2	
	Plug, pipe, 1/8 ISO G (service kit item).....	2338-99	2	
15	Gauge, pressure, 1/4 PTF, 60 psig (4 bar)	18-013-208	1	
	Gauge, pressure, 1/4 PTF, 160 psig (10 bar)	18-013-209	1	
	Gauge, pressure, 1/4 PTF, 300 psig (17 bar)	18-013-210	1	
	Gauge, pressure, 1/4 ISO Rc, 4 bar	18-013-266	1	
	Gauge, pressure, 1/4 ISO Rc, 10 bar	18-013-260	1	
	Gauge, pressure, 1/4 ISO Rc, 17 bar	18-013-267	1	
	Gauge, pressure, 1/8 ISO G, 4 bar.....	18-013-012	1	
	Gauge, pressure, 1/8 ISO G, 10 bar.....	18-013-013	1	
	Gauge, pressure, 1/8 ISO G, 17 bar.....	18-013-014	1	
16	Body	Not normally replaced	1	
17	PLASTIC BOWL & GUARD ASSY, 1/4 turn manual drain.....	4425-50RF	1	A
17	PLASTIC BOWL & GUARD ASSY, automatic drain	4425-51RF	1	B
18	• MANUAL DRAIN ASSY, 1/4 turn	619-50	1	A
19	• Valve, drain	617-89	1	A
20	• O-ring	2307-05	1	A
21	• AUTOMATIC DRAIN ASSY	4000-51R	1	B
22	• Nut.....	2797-89	1	B
23	• Gasket (service kit item).....	2811-01	1	B
24	Guard, bowl	4426-01	1	AB
25	Bowl, plastic	Not normally replaced	1	AB
26	O-ring (service kit item)	2316-29	1	AB
27	PLASTIC BOWL ASSY, no guard, 1/4 turn manual drain.....	4466-50RF	1	C
27	PLASTIC BOWL ASSY, no guard, automatic drain.....	4466-51RF	1	D
28	• MANUAL DRAIN ASSY, 1/4 turn	619-50	1	C
29	• Valve, drain	617-89	1	C
30	• O-ring	2307-05	1	C
31	• AUTOMATIC DRAIN ASSY	4000-51R	1	D
32	• Nut.....	2797-89	1	D
33	• Gasket (service kit item).....	2811-01	1	D
34	O-ring (service kit item)	2316-29	1	CD
35	Bowl, plastic	Not normally replaced	1	CD
36	METAL BOWL ASSY, sight glass, 1/4 turn manual drain.....	4403-50RF	1	E
36	METAL BOWL ASSY, sight glass, automatic drain	4403-51RF	1	F
37	• MANUAL DRAIN ASSY, 1/4 turn	619-50	1	E
38	• Valve, drain	617-89	1	E
39	• O-ring	2307-05	1	E
40	• AUTOMATIC DRAIN ASSY	4000-51R	1	F
41	• Nut.....	2797-89	1	F
42	• Gasket (service kit item).....	2811-01	1	F
43	Screw (service kit item)	9P06-12	2	EF
44	Clamp, sight glass	4467-01	1	EF
45	Lens, sight glass (service kit item)	4421-89	1	EF
46	Seal, sight glass lens (service kit item)	4422-89	1	EF
47	O-ring, bowl (service kit item)	2316-29	1	EF
48	Bowl, metal	Not normally replaced	1	EF



ITEM	DESCRIPTION	PART NO.	QTY	USED ON
49	Baffle	4470-89	1	
50	Element, 5-micron	4438-01	1	
	Element, 25-micron	4438-02	1	
	Element, 40-micron	4438-03	1	
51	Louver	4434-89	1	
52	Spring, valve (service kit item)	4419-01	1	
53	VALVE ASSY (service kit item)	4408-50	1	
54	• O-ring (service kit item)	422-01	1	

SERVICE KITS & ACCESSORIES

Service kit, relieving- includes items circled on exploded view	4383-600
Service kit, non-relieving- includes items circled on exploded view	4383-601
Metal bowl liquid level lens kit - items 43, 45, 46, 47	4380-020
Kit, pipe plug, 1/4 PTF - item 14, contains two	3724-05
Kit, pipe plug, 1/4 ISO Rc - item 14, contains two	3724-09
Kit, pipe plug, 1/8 ISO G - item 14, contains two	3723-06
Universal wall mounting bracket kit	4424-50
B73 neck wall mounting bracket with panel nut	5203-06
B73 neck panel nut	5191-88
Tamper resistant cover and seal wire (use only with knob adjustment)	4455-51

