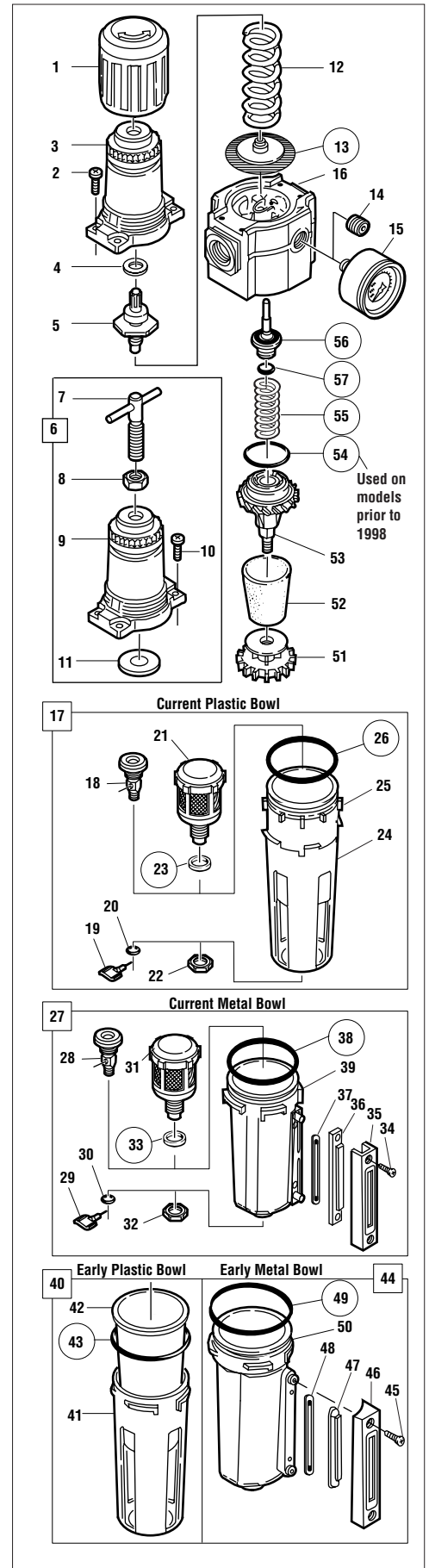


In the following parts list, assemblies are printed in capital letters. Parts that are included with an assembly are listed and indented directly beneath it. When an assembly is ordered, the assembly and all parts indented beneath it are included in the shipment.

When an assembly lists a letter code in the **USED ON** column, parts that list the same letter code are used in that assembly. Parts coded **A** are used in the Assembly coded **A**, parts coded **B** are used in the Assembly coded **B**, etc.

ITEM	DESCRIPTION	PART NO.	QTY	USED ON
1	Knob, adjusting.....	4307-89	1	
2	Screw .....	9PM5-12	4	
3	Bonnet .....	4305-89	1	
4	Washer .....	5183-05	1	
5	Screw, adjusting .....	4330-50	1	
6	BONNET ASSEMBLY, T-bar adjustment.....	4305-50	1	
7	• T-BAR ASSY, adjusting .....	1094-11	1	
8	• Nut, lock .....	5637-01	1	
9	• Bonnet .....	Not normally replaced	1	
10	• Screw .....	9PM5-12	4	
11	• Spring rest .....	5297-88	1	
12	Spring, regulating, 60 psig (4 bar).....	4332-01	1	
	Spring, regulating, 150 psig (10 bar).....	4332-02	1	
	Spring, regulating, 250 psig (17 bar).....	4332-03	1	
13	Diaphragm, relieving (service kit item).....	4309-50	1	
	Diaphragm, nonrelieving (service kit item).....	4309-51	1	
14	Plug, pipe, 1/4 PTF (service kit item).....	2891-97	1	
	Plug, pipe, ISO R1/8 (service kit item).....	2338-99	1	
	Plug, pipe, ISO R1/4 (service kit item).....	2845-02	1	
15	Gage, pressure, 1/4 PTF, 60 psig (4 bar) .....	18-013-208	1	
	Gage, pressure, 1/4 PTF, 160 psig (10 bar) .....	18-013-209	1	
	Gage, pressure, 1/4 PTF, 300 psig (20 bar) .....	18-013-210	1	
	Gage, pressure, ISO R1/4, 4 bar .....	18-013-266	1	
	Gage, pressure, ISO R1/4, 10 bar .....	18-013-260	1	
	Gage, pressure, ISO R1/4, 25 bar .....	18-013-267	1	
	Gage, pressure, ISO R1/8, 4 bar .....	18-013-012	1	
	Gage, pressure, ISO R1/8, 10 bar .....	18-013-013	1	
	Gage, pressure, ISO R1/8, 25 bar .....	18-013-014	1	
16	Body .....	Not normally replaced	1	
17	PLASTIC BOWL & GUARD ASSY, 1/4 turn manual drain.....	4325-51R	1	A
17	PLASTIC BOWL & GUARD ASSY, automatic drain .....	4325-52R	1	B
18	• MANUAL DRAIN ASSY, 1/4 turn .....	619-50	1	A
19	• Valve, drain .....	617-89	1	A
20	• O-ring .....	2307-05	1	A
21	• AUTOMATIC DRAIN ASSY, 1/8 PTF Outlet * .....	3000-10	1	B
22	• Nut.....	2797-89	1	B
23	• Gasket (service kit item).....	2811-01	1	B
24	Guard, bowl .....	4326-01	1	AB
25	Bowl, plastic .....	Not normally replaced	1	AB
26	O-ring (service kit item) .....	2316-38	1	AB
27	METAL BOWL ASSY, sight glass, 1/4 turn manual drain.....	4303-51R	1	C
27	METAL BOWL ASSY, sight glass, automatic drain.....	4303-52R	1	D
28	• MANUAL DRAIN ASSY, 1/4 turn .....	619-50	1	C
29	• Valve, drain .....	617-89	1	C
30	• O-ring .....	2307-05	1	C
31	• AUTOMATIC DRAIN ASSY, 1/8 PTF Outlet * .....	3000-10	1	D
32	• Nut.....	2797-89	1	D
33	• Gasket (service kit item).....	2811-01	1	D
34	• Screw (service kit item) .....	9P06-12	2	CD
35	• Clamp, sight glass .....	4323-01	1	CD
36	• Lens, sight glass (service kit item) .....	4321-88	1	CD
37	• Seal, sight glass lens (service kit item) .....	4322-87	1	CD
38	• O-ring, bowl (service kit item) .....	2316-38	1	CD
39	• Bowl, metal.....	Not normally replaced	1	CD
40	PLASTIC BOWL & GUARD, early models .....	Not available - order item 17	1	
41	• Guard, bowl.....	Not available - order item 17	1	
42	Bowl, plastic .....	Not available - order item 17	1	
43	O-ring (service kit item) .....	2316-38	1	
44	METAL BOWL, early models .....	Not available - order item 27	1	
45	• Screw .....	Not available	2	
46	• Clamp, sight glass.....	Not available	1	
47	• Lens, sight glass .....	Not available	1	
48	• Seal, sight glass lens .....	Not available	1	
49	• O-ring, bowl (service kit item).....	2316-38	1	
50	• Bowl, metal.....	Not available - order item 27	1	

\* For optional low flow automatic drain with 1/8 PTF outlet, specify 3000-11.  
For standard automatic drain with ISO G1/8 outlet, specify 3000-97.



ITEM	DESCRIPTION	PART NO.	QTY	USED ON
51	Baffle .....	3140-88	1	
52	Element, 5-micron .....	4338-04	1	
	Element, 25-micron .....	4338-07	1	
	Element, 40-micron .....	4338-05	1	
	Element, screen, 75-micron .....	4338-10	1	
53	Louver - center post .....	4334-89	1	
54	O-ring, used only on models manufactured prior to 1998 (service kit item) .....	2305-25	1	
55	Spring, valve (service kit item) .....	5205-05	1	
56	VALVE ASSY (service kit item) .....	4308-50	1	
57	• O-ring (service kit item) .....	2305-13	1	

**SERVICE KITS & ACCESSORIES**

Service kit, relieving - Includes items circled on exploded view .....	4383-700
Service kit, nonrelieving - Includes items circled on exploded view .....	4383-701
Current metal bowl liquid level lens kit - Items 34, 36, 37, 38 .....	4380-050
Kit, pipe plug, 1/4 PTF - item 14 - contains two .....	3724-05
Kit, pipe plug, ISO R1/8 - item 14 - contains two .....	3723-06
Kit, pipe plug, ISO R1/4 - item 14 - contains two .....	3724-09
Wall mounting bracket kit .....	4324-50
Panel mount nut .....	4348-89
Tamper resistant cover and seal wire (use only with knob adjustment) .....	4355-51

