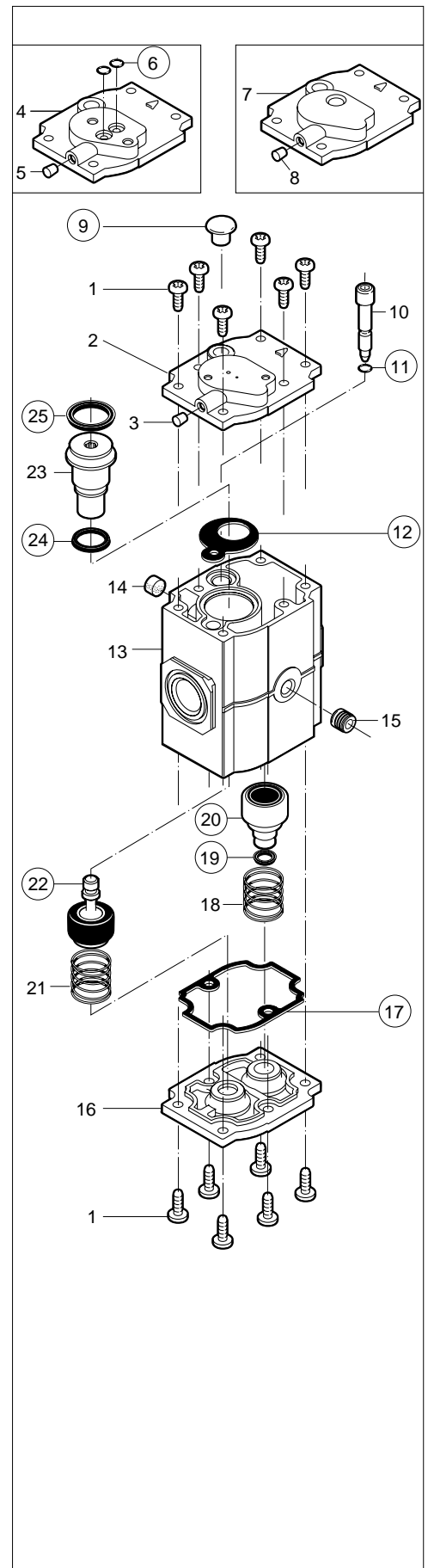


In the following parts list, assemblies are printed in capital letters. Parts that are included with an assembly are listed and indented directly beneath it. When an assembly is ordered, the assembly and all parts indented beneath it are included in the shipment.

ITEM	DESCRIPTION	PART NO.	QTY
1	Screw	6032-12	12
2	Top plate, solenoid mounting	4278-10	1
3	Lee beta plug	4284-01	1
4	Top plate, CNOMO solenoid mounting	4278-10	1
5	Lee betaplug	4284-01	1
6	O-ring top plate, CNOMO solenoid mounting	421-01	2
7	Top plate, Air pilot	4278-11	1
8	Lee betaplug	4284-01	1
9	Tamper resistant plug	74562-01	1
10	Flow adjuster	74551-01	1
11	O-ring, flow adjuster	706-01	1
12	Gasket, top plate	4282-06	1
13	Body	Not normally replaced	1
14	Filter	74563-01	1
15	Lee betaplug	4284-02	1
16	Exhaust bottom plate	4277-10	1
17	Gasket, bottom plate	4282-07	1
18	Spring, main valve	4283-01	1
19	10 mm single acting seal	74542-10	1
20	Soft start valve, moulded	4280-89	1
21	Spring, dump valve	4283-01	1
22	Dump valve, moulded	4279-89	1
23	Soft start spool	4281-01	1
24	15 mm single acting seal	74542-15	1
25	20 mm single acting seal	74542-20	1

**SERVICE KITS & ACCESSORIES**

Service kit - items 6, 9, 11, 12, 17, 19, 20, 22, 24, 25	4384-520
--	----------



In the following parts list, assemblies are printed in capital letters. Parts that are included with an assembly are listed and indented directly beneath it. When an assembly is ordered, the assembly and all parts indented beneath it are included in the shipment.

ITEM	DESCRIPTION	PART NO.	QTY
1	Screw	6032-12	12
2	Top plate, solenoid mounting	4278-10	1
3	Lee beta plug	4284-01	1
4	Top plate, CNOMO solenoid mounting	4278-10	1
5	Lee betaplug	4284-01	1
6	O-ring top plate, CNOMO solenoid mounting	421-01	2
7	Top plate, Air pilot	4278-11	1
8	Lee betaplug	4284-01	1
9	Tamper resistant plug	74562-01	1
10	Flow adjuster	74551-01	1
11	O-ring, flow adjuster	706-01	1
12	Gasket, top plate	4282-06	1
13	Body	Not normally replaced	1
14	Filter	74563-01	1
15	Lee betaplug	4284-02	1
16	Exhaust bottom plate	4277-10	1
17	Gasket, bottom plate	4282-07	1
18	Spring, main valve	4283-01	1
19	10 mm single acting seal	74542-10	1
20	Soft start valve, moulded	4280-89	1
21	Spring, dump valve	4283-01	1
22	Dump valve, moulded	4279-89	1
23	Soft start spool	4281-01	1
24	15 mm single acting seal	74542-15	1
25	20 mm single acting seal	74542-20	1

**SERVICE KITS & ACCESSORIES**

Service kit - items 6, 9, 11, 12, 17, 19, 20, 22, 24, 25	4384-520
--	----------

