

ISO ROUNDLINE CYLINDERS RM/8000/M

Double acting, ISO 6432 – Ø 10 ... 25 mm



- Magnetic piston as standard
- Conforms to ISO 6432
- High strength, double crimped end cap design
- Corrosion resistant
- Buffer or adjustable cushioning
- Nose mounting nut and piston rod locknut as standard

TECHNICAL DATA

Medium:

Compressed air, filtered, lubricated or non-lubricated

Operation:

Double acting, magnetic piston with buffer or adjustable air cushioning

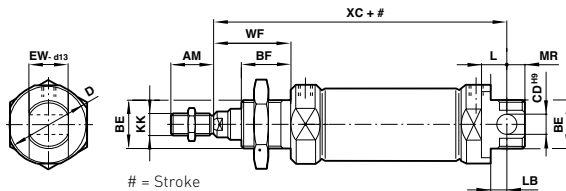
Operating pressure:

1 to 10 bar

Operating temperature:

-10°C to +80°C max.

Consult our Technical Service for use below +2°C

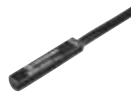


Dimensions

Dia. Ø	AM	BE	BF	Ø CDH9	ØD	EW d13	KK	L	LB	MR	WF	XC
10	12	M12x1,25	12	4	16,5	7,9	M4	6	2	8	16	64
12	16	M16x1,5	17	6	21	11,9	M6	9	3	8	22	75
16	16	M16x1,5	17	6	21	11,9	M6	9	4	7	22	82
20	20	M22x1,5	20	8	30	15,9	M8	12	3	11	24	95
25	22	M22x1,5	22	8	30	15,9	M10x1,25	12	7	9	28	104

Models

BUFFER CUSHIONING Model	ADJUSTABLE CUSHIONING Model	Dia. Ø	Stroke	Port size	Piston rod Ø	Reed switch with integral 5 m cable	Switch mounting >15 mm stroke	Switch mounting <15 mm stroke	Banjo flow control	Straight fitting	Elbow fitting
-------------------------	-----------------------------	--------	--------	-----------	--------------	-------------------------------------	-------------------------------	-------------------------------	--------------------	------------------	---------------



RM/8010/M/10		10	10	M5	4	M/50/LSU/5V	-	QM/33/010/23	C0K510405	C02250405	C02470405
RM/8010/M/25		10	25	M5	4	M/50/LSU/5V	QM/33/010/22	-	C0K510405	C02250405	C02470405
RM/8010/M/40		10	40	M5	4	M/50/LSU/5V	QM/33/010/22	-	C0K510405	C02250405	C02470405
RM/8010/M/50		10	50	M5	4	M/50/LSU/5V	QM/33/010/22	-	C0K510405	C02250405	C02470405
RM/8010/M/80		10	80	M5	4	M/50/LSU/5V	QM/33/010/22	-	C0K510405	C02250405	C02470405
RM/8010/M/100		10	100	M5	4	M/50/LSU/5V	QM/33/012/22	-	C0K510405	C02250405	C02470405
RM/8012/M/10		12	10	M5	6	M/50/LSU/5V	-	QM/33/010/23	C0K510405	C02250405	C02470405
RM/8012/M/25		12	25	M5	6	M/50/LSU/5V	QM/33/012/22	-	C0K510405	C02250405	C02470405
RM/8012/M/40		12	40	M5	6	M/50/LSU/5V	QM/33/012/22	-	C0K510405	C02250405	C02470405
RM/8012/M/50		12	50	M5	6	M/50/LSU/5V	QM/33/012/22	-	C0K510405	C02250405	C02470405
RM/8012/M/80		12	80	M5	6	M/50/LSU/5V	QM/33/012/22	-	C0K510405	C02250405	C02470405
RM/8012/M/100		12	100	M5	6	M/50/LSU/5V	QM/33/012/22	-	C0K510405	C02250405	C02470405

Other stroke lengths available please call your Express Team
Service kits are not available for this range of cylinders
For information on alternative magnetic switches see page 58

If you can't see the option you require...
...call the Express hotline now!

For further information
www.norgren.com/info/nec/en013



ISO ROUNDLINE CYLINDERS RM/8000/M

Double acting, ISO 6432 – Ø 10 ... 25 mm

Models

Accessories

BUFFER CUSHIONING Model	ADJUSTABLE CUSHIONING Model	Dia. Ø	Stroke	Port size	Piston rod Ø	Reed switch with integral 5 m cable	Switch mounting >15 mm stroke	Switch mounting <15 mm stroke	Banjo flow control	Straight fitting	Elbow fitting
RM/8016/M/10		16	10	M5	6	M/50/LSU/5V	-	QM/33/016/23	C0K510405	C02250405	C02470405
RM/8016/M/25	RM/8017/M/25	16	25	M5	6	M/50/LSU/5V	QM/33/016/22	-	C0K510405	C02250405	C02470405
RM/8016/M/40	RM/8017/M/40	16	40	M5	6	M/50/LSU/5V	QM/33/016/22	-	C0K510405	C02250405	C02470405
RM/8016/M/50	RM/8017/M/50	16	50	M5	6	M/50/LSU/5V	QM/33/016/22	-	C0K510405	C02250405	C02470405
RM/8016/M/80	RM/8017/M/80	16	80	M5	6	M/50/LSU/5V	QM/33/016/22	-	C0K510405	C02250405	C02470405
RM/8016/M/100	RM/8017/M/100	16	100	M5	6	M/50/LSU/5V	QM/33/016/22	-	C0K510405	C02250405	C02470405
RM/8016/M/125	RM/8017/M/125	16	125	M5	6	M/50/LSU/5V	QM/33/016/22	-	C0K510405	C02250405	C02470405
RM/8016/M/160	RM/8017/M/160	16	160	M5	6	M/50/LSU/5V	QM/33/016/22	-	C0K510405	C02250405	C02470405
RM/8016/M/200	RM/8017/M/200	16	200	M5	6	M/50/LSU/5V	QM/33/016/22	-	C0K510405	C02250405	C02470405
RM/8020/M/10		20	10	G1/8	8	M/50/LSU/5V	-	QM/33/020/23	C0K510618	C02250618	C02470618
RM/8020/M/25	RM/8021/M/25	20	25	G1/8	8	M/50/LSU/5V	QM/33/020/22	-	C0K510618	C02250618	C02470618
RM/8020/M/40	RM/8021/M/40	20	40	G1/8	8	M/50/LSU/5V	QM/33/020/22	-	C0K510618	C02250618	C02470618
RM/8020/M/50	RM/8021/M/50	20	50	G1/8	8	M/50/LSU/5V	QM/33/020/22	-	C0K510618	C02250618	C02470618
RM/8020/M/80	RM/8021/M/80	20	80	G1/8	8	M/50/LSU/5V	QM/33/020/22	-	C0K510618	C02250618	C02470618
RM/8020/M/100	RM/8021/M/100	20	100	G1/8	8	M/50/LSU/5V	QM/33/020/22	-	C0K510618	C02250618	C02470618
RM/8020/M/125	RM/8021/M/125	20	125	G1/8	8	M/50/LSU/5V	QM/33/020/22	-	C0K510618	C02250618	C02470618
RM/8020/M/160	RM/8021/M/160	20	160	G1/8	8	M/50/LSU/5V	QM/33/020/22	-	C0K510618	C02250618	C02470618
RM/8020/M/200	RM/8021/M/200	20	200	G1/8	8	M/50/LSU/5V	QM/33/020/22	-	C0K510618	C02250618	C02470618
RM/8020/M/250	RM/8021/M/250	20	250	G1/8	8	M/50/LSU/5V	QM/33/020/22	-	C0K510618	C02250618	C02470618
RM/8025/M/10		25	10	G1/8	10	M/50/LSU/5V	-	QM/33/025/23	C0K510618	C02250618	C02470618
RM/8025/M/25	RM/8026/M/25	25	25	G1/8	10	M/50/LSU/5V	QM/33/025/22	-	C0K510618	C02250618	C02470618
RM/8025/M/40	RM/8026/M/40	25	40	G1/8	10	M/50/LSU/5V	QM/33/025/22	-	C0K510618	C02250618	C02470618
RM/8025/M/50	RM/8026/M/50	25	50	G1/8	10	M/50/LSU/5V	QM/33/025/22	-	C0K510618	C02250618	C02470618
RM/8025/M/80	RM/8026/M/80	25	80	G1/8	10	M/50/LSU/5V	QM/33/025/22	-	C0K510618	C02250618	C02470618
RM/8025/M/100	RM/8026/M/100	25	100	G1/8	10	M/50/LSU/5V	QM/33/025/22	-	C0K510618	C02250618	C02470618
RM/8025/M/125	RM/8026/M/125	25	125	G1/8	10	M/50/LSU/5V	QM/33/025/22	-	C0K510618	C02250618	C02470618
RM/8025/M/160	RM/8026/M/160	25	160	G1/8	10	M/50/LSU/5V	QM/33/025/22	-	C0K510618	C02250618	C02470618
RM/8025/M/200	RM/8026/M/200	25	200	G1/8	10	M/50/LSU/5V	QM/33/025/22	-	C0K510618	C02250618	C02470618
RM/8025/M/250	RM/8026/M/250	25	250	G1/8	10	M/50/LSU/5V	QM/33/025/22	-	C0K510618	C02250618	C02470618

Other stroke lengths available please call your Express Team
Service kits are not available for this range of cylinders
For information on alternative magnetic switches see page 58

For the full range of fittings available see page 224

SWITCH TO NORGREN

For higher performance and reliability choose Norgren. Thousands of products and accessories available for immediate despatch.

Use this range of ISO cylinders to replace the following products

- Festo DSNU range
- Parker P1A range
- SMC C85 range
- Bosch Rexroth MNI range

For further information call the team

- ✓ Switch to Norgren
- ✓ Always in Stock
- ✓ Rapid Delivery
- ✓ Free Warranty – 2 Years

EXPRESS PLUS

What's the difference between buffer and adjustable cushioning?

Buffer cushioning uses a polyurethane disc mounted in the cylinder end cap to reduce shock and vibration right at the end of the cylinder stroke.

Adjustable air cushioning is effective a short distance from the end of the stroke and uses air within the cylinder via an adjusting screw to control shock and vibration.



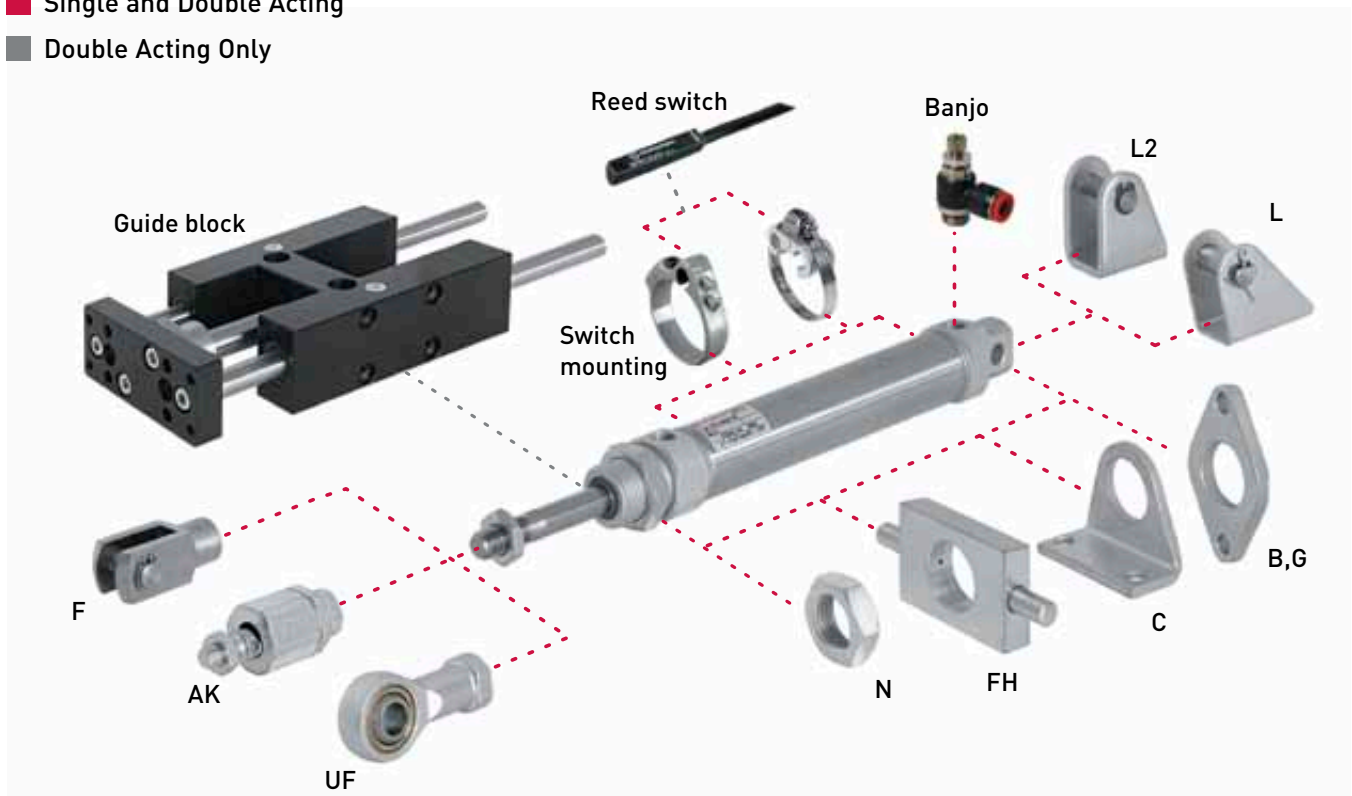
If you can't see the option you require...
...call the Express hotline now!

MOUNTINGS FOR RM/28000/M & RM/8000/M ISO Roundline cylinders

Single and double acting

■ Single and Double Acting

■ Double Acting Only



Dia. Ø	AK	B, G	C	F	FH	L	L2
10	QM/8010/38	M/P19407	M/P19369	QM/8010/25	-	QM/947	QM/8010/44
12	QM/8012/38	M/P19408	M/P19389	QM/8012/25	QM/8012/34	QM/8012/24	QM/8012/44
16	QM/8012/38	M/P19408	M/P19389	QM/8012/25	QM/8012/34	QM/8012/24	QM/8012/44
20	QM/8020/38	M/P19409	M/P19406	QM/8020/25	QM/8020/34	QM/8020/24	QM/8020/44
25	QM/8025/38	M/P19409	M/P19406	QM/8025/25	QM/8020/34	QM/8020/24	QM/8020/44

Dia. Ø	N	UF	Guide block
10	M/P1501/90	QM/8010/32	-
12	M/P13834	QM/8012/32	QM/8012/61/*
16	M/P13834	QM/8012/32	QM/8012/61/*
20	M/P13615	QM/8020/32	QM/8020/61/*
25	M/P13615	QM/8025/32	QM/8025/61/*

* Insert standard stroke length: Ø 12 mm: 50, 100, 160, 200 and 250 mm; Ø 16 to 25 mm: 50, 100, 160, 200, 250, 320, 400 and 500 mm
Other stroke lengths are not available, use nearest standard stroke

If you can't see the option you require...
...call the Express hotline now!