

LINTRA® PLUS RODLESS CYLINDERS

M/146000 Internal Guide, M/146100 External Guide

Double acting – Ø 16 ... 80 mm

New lightweight design extrusion with universal mounting grooves

Proven and patented sealing system

Dust protection as standard

Interchangeability with series M/46000

TECHNICAL DATA

Medium:

Compressed air, filtered, lubricated or non-lubricated

Operation:

Double acting with adjustable cushioning and magnetic piston

Operating pressure:

1 ... 8 bar

Operating temperature:

-30°C ... +80°C max.

Consult our Technical Service for use below +2°C



MAXIMUM STROKE

Ø16 to 40 mm stroke up to 8500 mm

Ø50 and 63 mm stroke up to 8000 mm

Ø80 stroke up to 5500 mm

Any stroke length can be made to order, very best availability in multiples of 100mm

For more information about the Lintra Plus range please visit www.norgren.com/lintra

EXPRESS PLUS

Additional range...

For the precision roller guided Lintra Plus range please call your Express Team



EXPRESS PLUS

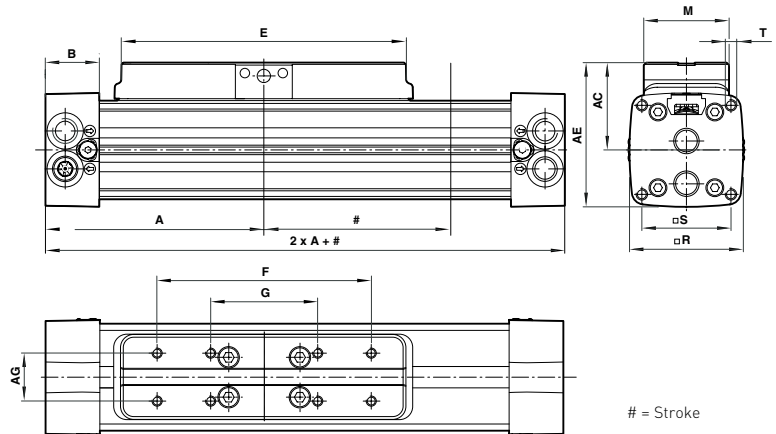
For more information about the Lintra Plus range please visit www.norgren.com/lintra



For further information
www.norgren.com/info/nec/en042

LINTRA® PLUS RODLESS CYLINDERS M/146000 Internal guide

Double acting - Ø 16 ... 80 mm









Dimensions - Internal guide

Dia. Ø	A	AC	AE	AG	B	E	F	G	M	R	S	T (by depth)
16	62,5	-	38	8	17,5	80	60	-	18	27	16	M3 x 5
20	85	-	54	18	23	110	80	40	27	40	32	M5 x 12
25	100	36	56	60	23	130	90	45	32	48	37	M5 x 13
32	120	46	76	25	28,5	160	120	60	45	60	47	M6 x 17
40	150	52,5	90	25	28,5	215	160	80	45	74,5	58	M8 x 20
50	180	65,5	110	25	38	250	190	95	50	89	70	M8 x 20
63	215	82,5	125	25	38	320	240	120	50	105	84	M10 x 24
80	260	-	154	25	45	390	300	150	50	130	100	M12 x 26

Models - Internal guide

Accessories

Model	Piston Ø	Stroke length	Port size	Reed switch with integral 5 m cable	Banjo flow control	Straight fitting	Elbow fitting	Service kit
								
M/146016/M/***	16	made to order	M5	M/50/LSU/5V	C0K510405	C02250405	C02470405	QM/146016/88/***
M/146020/M/***	20	made to order	G1/8	M/50/LSU/5V	C0K510618	C02250618	C02470618	QM/146020/88/***
M/146025/M/***	25	made to order	G1/8	M/50/LSU/5V	C0K510618	C02250618	C02470618	QM/146025/88/***
M/146032/M/***	32	made to order	G1/4	M/50/LSU/5V	C0K510628	C02250628	C02470628	QM/146032/88/***
M/146032/M/300	32	300	G1/4	M/50/LSU/5V	C0K510628	C02250628	C02470628	QM/146032/88/300
M/146032/M/400	32	400	G1/4	M/50/LSU/5V	C0K510628	C02250628	C02470628	QM/146032/88/400
M/146032/M/500	32	500	G1/4	M/50/LSU/5V	C0K510628	C02250628	C02470628	QM/146032/88/500
M/146032/M/600	32	600	G1/4	M/50/LSU/5V	C0K510628	C02250628	C02470628	QM/146032/88/600
M/146032/M/700	32	700	G1/4	M/50/LSU/5V	C0K510628	C02250628	C02470628	QM/146032/88/700
M/146032/M/800	32	800	G1/4	M/50/LSU/5V	C0K510628	C02250628	C02470628	QM/146032/88/800
M/146032/M/900	32	900	G1/4	M/50/LSU/5V	C0K510628	C02250628	C02470628	QM/146032/88/900
M/146032/M/1000	32	1000	G1/4	M/50/LSU/5V	C0K510628	C02250628	C02470628	QM/146032/88/1000
M/146040/M/***	40	made to order	G1/4	M/50/LSU/5V	C0K510628	C02250628	C02470628	QM/146040/88/***
M/146040/M/300	40	300	G1/4	M/50/LSU/5V	C0K510628	C02250628	C02470628	QM/146040/88/300
M/146040/M/400	40	400	G1/4	M/50/LSU/5V	C0K510628	C02250628	C02470628	QM/146040/88/400
M/146040/M/500	40	500	G1/4	M/50/LSU/5V	C0K510628	C02250628	C02470628	QM/146040/88/500
M/146040/M/600	40	600	G1/4	M/50/LSU/5V	C0K510628	C02250628	C02470628	QM/146040/88/600
M/146040/M/700	40	700	G1/4	M/50/LSU/5V	C0K510628	C02250628	C02470628	QM/146040/88/700
M/146040/M/800	40	800	G1/4	M/50/LSU/5V	C0K510628	C02250628	C02470628	QM/146040/88/800
M/146040/M/900	40	900	G1/4	M/50/LSU/5V	C0K510628	C02250628	C02470628	QM/146040/88/900
M/146040/M/1000	40	1000	G1/4	M/50/LSU/5V	C0K510628	C02250628	C02470628	QM/146040/88/1000
M/146050/M/***	50	made to order	G3/8	M/50/LSU/5V	C0K510838	C02250838	C02470838	QM/146050/88/***
M/146063/M/***	63	made to order	G1/2	M/50/LSU/5V	C0K510848	C02250848	C02470848	QM/146063/88/***
M/146080/M/***	80	made to order	G1/2	M/50/LSU/5V	C0K511048	C02251048	C02471048	QM/146080/88/***

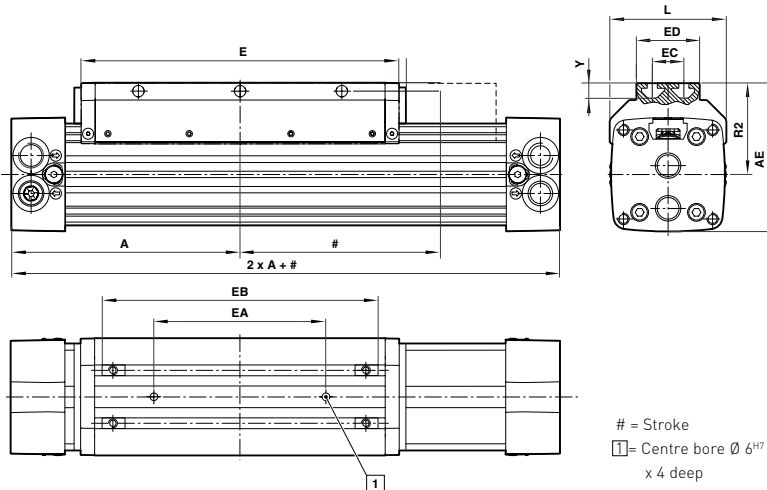
*** insert stroke length in mm - very best availability in multiples of 100 mm
 For information on alternative magnetic switches see page 58

If you can't see the option you require...

...call the Express hotline now!

LINTRA® PLUS RODLESS CYLINDERS M/146100 External guide

Double acting – Ø 16 ... 80 mm



= Stroke
 □ = Centre bore Ø 6^{H7}
 x 4 deep

Dimensions – External guide

Dia. Ø	A	AE	E	ED	EC	EA±0,05	EB	L	R2	Y
16	62,5	38	80	-	-	-	-	31	-	5
20	85	59	110	-	-	-	-	42	-	12
25	100	67,5	130	32	20	50	102	52	43,5	-9,5
32	120	82	160	45	25	70	138	64	52	6,5
40	150	97,5	215	45	25	105	193	79	60	9,5
50	180	116,5	250	50	25	135	228	92	72	11,5
63	215	137	320	50	25	150	292	110	84,5	16,5
80	260	165	390	-	-	-	-	130	-	25

Models - External guide

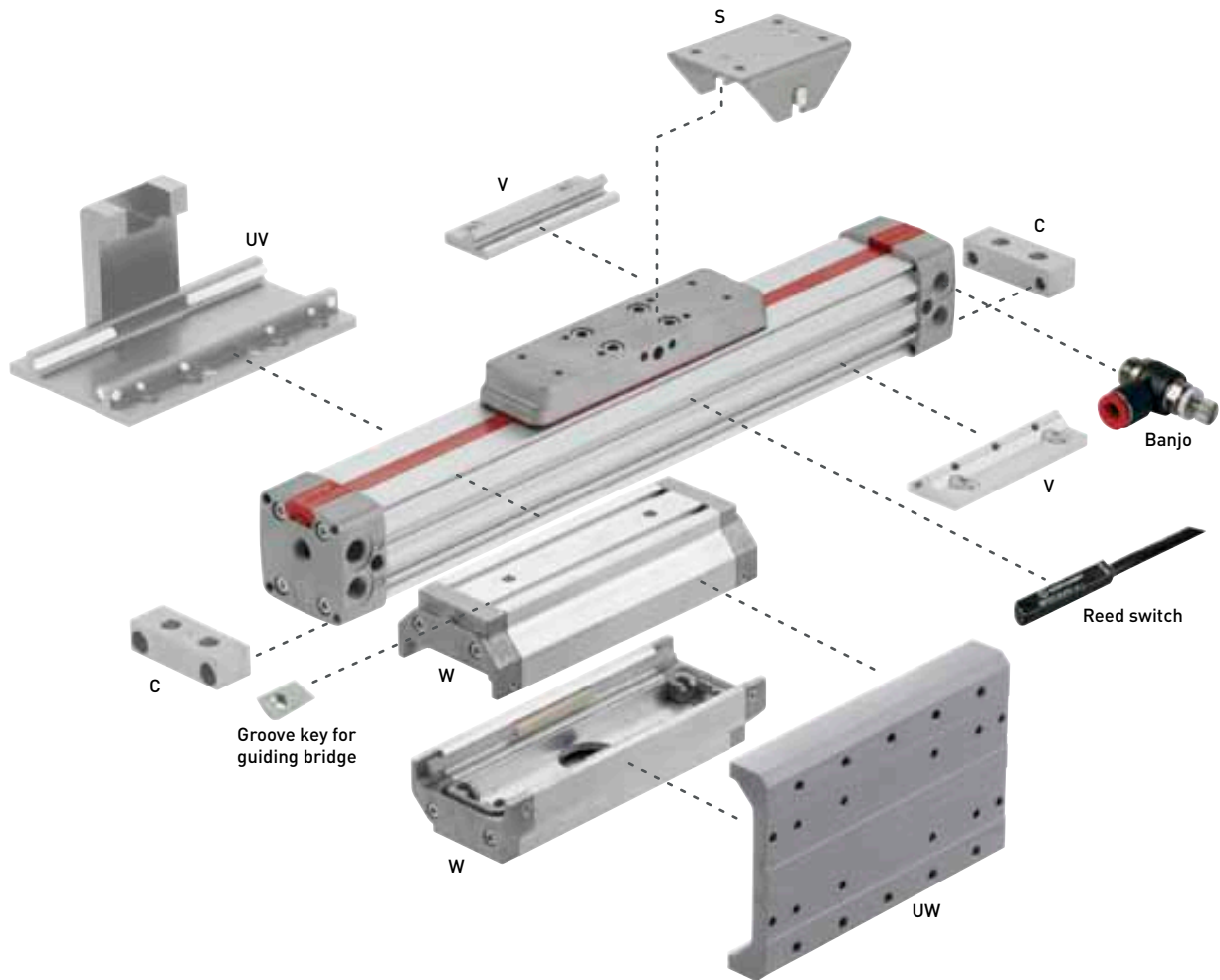
Accessories

Model	Piston Ø	Stroke length	Port size	Reed switch with integral 5 m cable	Banjo flow control	Straight fitting	Elbow fitting	Service kit
 M/146116/M/***	16	made to order	M5	M/50/LSU/5V	C0K510405	C02250405	C02470405	QM/146116/88/***
M/146120/M/***	20	made to order	G1/8	M/50/LSU/5V	C0K510618	C02250618	C02470618	QM/146120/88/***
M/146125/M/***	25	made to order	G1/8	M/50/LSU/5V	C0K510618	C02250618	C02470618	QM/146125/88/***
M/146132/M/***	32	made to order	G1/4	M/50/LSU/5V	C0K510628	C02250628	C02470628	QM/146132/88/***
M/146132/M/300	32	300	G1/4	M/50/LSU/5V	C0K510628	C02250628	C02470628	QM/146132/88/300
M/146132/M/400	32	400	G1/4	M/50/LSU/5V	C0K510628	C02250628	C02470628	QM/146132/88/400
M/146132/M/500	32	500	G1/4	M/50/LSU/5V	C0K510628	C02250628	C02470628	QM/146132/88/500
M/146132/M/600	32	600	G1/4	M/50/LSU/5V	C0K510628	C02250628	C02470628	QM/146132/88/600
M/146132/M/700	32	700	G1/4	M/50/LSU/5V	C0K510628	C02250628	C02470628	QM/146132/88/700
M/146132/M/800	32	800	G1/4	M/50/LSU/5V	C0K510628	C02250628	C02470628	QM/146132/88/800
M/146132/M/900	32	900	G1/4	M/50/LSU/5V	C0K510628	C02250628	C02470628	QM/146132/88/900
M/146132/M/1000	32	1000	G1/4	M/50/LSU/5V	C0K510628	C02250628	C02470628	QM/146132/88/1000
M/146140/M/***	40	made to order	G1/4	M/50/LSU/5V	C0K510628	C02250628	C02470628	QM/146140/88/***
M/146140/M/300	40	300	G1/4	M/50/LSU/5V	C0K510628	C02250628	C02470628	QM/146140/88/300
M/146140/M/400	40	400	G1/4	M/50/LSU/5V	C0K510628	C02250628	C02470628	QM/146140/88/400
M/146140/M/500	40	500	G1/4	M/50/LSU/5V	C0K510628	C02250628	C02470628	QM/146140/88/500
M/146140/M/600	40	600	G1/4	M/50/LSU/5V	C0K510628	C02250628	C02470628	QM/146140/88/600
M/146140/M/700	40	700	G1/4	M/50/LSU/5V	C0K510628	C02250628	C02470628	QM/146140/88/700
M/146140/M/800	40	800	G1/4	M/50/LSU/5V	C0K510628	C02250628	C02470628	QM/146140/88/800
M/146140/M/900	40	900	G1/4	M/50/LSU/5V	C0K510628	C02250628	C02470628	QM/146140/88/900
M/146140/M/1000	40	1000	G1/4	M/50/LSU/5V	C0K510628	C02250628	C02470628	QM/146140/88/1000
M/146150/M/***	50	made to order	G3/8	M/50/LSU/5V	C0K510838	C02250838	C02470838	QM/146150/88/***
M/146163/M/***	63	made to order	G1/2	M/50/LSU/5V	C0K510848	C02250848	C02470848	QM/146163/88/***
M/146180/M/***	80	made to order	G1/2	M/50/LSU/5V	C0K511048	C02251048	C02471048	QM/146180/88/***

*** insert stroke length in mm – best availability in multiples of 100 mm
 Alternative models available – including precision guided version – call the Express Team
 For information on alternative magnetic switches see page 58

If you can't see the option you require...
 ...call the Express hotline now!

MOUNTINGS FOR M/146000 and M/146100 LINTRA® PLUS Rodless Cylinders



Dia. Ø	C	S*	UV*	UW*	V	W**	Groove key for guiding bridge
16	QM/146016/21	QM/146016/37	QM/146016/34	-	QM/146016/32	QM/146116/35	-
20	QM/146020/21	QM/146020/37	QM/146020/34	QM/46120/36	QM/146020/32	QM/146120/35	-
25	QM/146025/21	QM/146025/37	QM/146025/34	QM/46125/36	QM/146025/32	QM/146125/35	M/P74065
32	QM/46032/21	QM/146032/37	QM/46032/34	QM/46132/36	QM/46032/32	QM/146132/35	M/P74065
40	QM/46040/21	QM/146032/37	QM/46040/34	QM/46140/36	QM/46040/32	QM/146140/35	M/P74066
50	QM/46050/21	QM/146050/37	QM/46050/34	QM/46150/36	QM/46050/32	QM/146150/35	M/P41858
63	QM/46063/21	QM/146063/37	QM/46063/34	QM/46163/36	QM/46063/32	QM/146163/35	M/P41858
80	QM/46080/21	QM/146080/37	QM/46080/34	-	QM/46080/32	QM/146180/35	-

* Suitable for internally guided models only, ** Suitable for external guided models only

If you can't see the option you require...
...call the Express hotline now!