

# RACK & PINION – ROTARY ACTUATORS

## M/162000/MI

Double acting – Ø 32 ... 125 mm

Suitable torques from 1,2 to 51,0 Nm/bar

Rotation angles 90°, 180°, 270°, 360°

Switches can be mounted flush with the profile

VDMA 24562 pitch to use standard  
VDMA mountings



### TECHNICAL DATA

#### Medium:

Compressed air, filtered, lubricated or non-lubricated

#### Operation:

Double acting, magnetic piston, adjustable cushioning

#### Operating pressure:

1,5 ... 10 bar

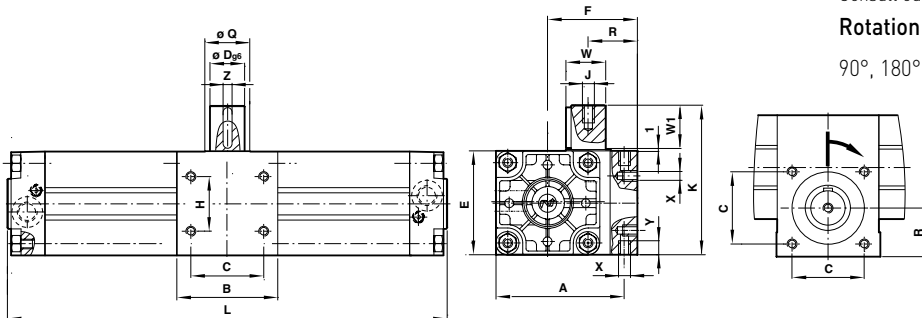
#### Operating temperature:

-5°C ... +80°C max.

Consult our Technical Service for use below +2°C

#### Rotation angles:

90°, 180°, fixed up to +8° (270°, 360° also available)



### Dimensions

Dia. Ø	A	B/E	C	Ø Dg6	F	H	J	K	Ø Q	R	W	W1	X	Y	L	Z	(90°)	(180°)
32	71,5	50	33	14	46,5	18	M 5	81	25	25	16	30	M 6	10	5	227	274	
40	82	60	40	14	54,5	22	M 5	91	25	30	16	30	M 6	10	5	266	323	
50	94	70	50	19	60,5	25	M 6	106	30	32,5	21,5	40	M 8	13	6	282	345	
63	110	75	60	24	71	35	M 8	116	30	37	27	40	M 8	13	8	331	406	
80	142	99	80	28	93,5	50	M 8	150	45	50	31	50	M 10	16	8	396	495	
100	156,5	115	80	38	99	60	M 10	166	50	54	41	50	M 10	16	10	414	521	
125	188	125	90	38	118	70	M 10	191	60	60	41	50	M 12	20	10	483,5	615,5	

### EXPRESS PLUS

#### Additional range...

For female pinion and adjustable angle +/- 5° please call your Express Team



If you can't see the option you require...  
...call the Express hotline now!

For further information  
[www.norgren.com/info/nec/en051](http://www.norgren.com/info/nec/en051)









## RACK & PINION – ROTARY CYLINDERS M/162000/MI

Double acting – Ø 32 ... 125 mm

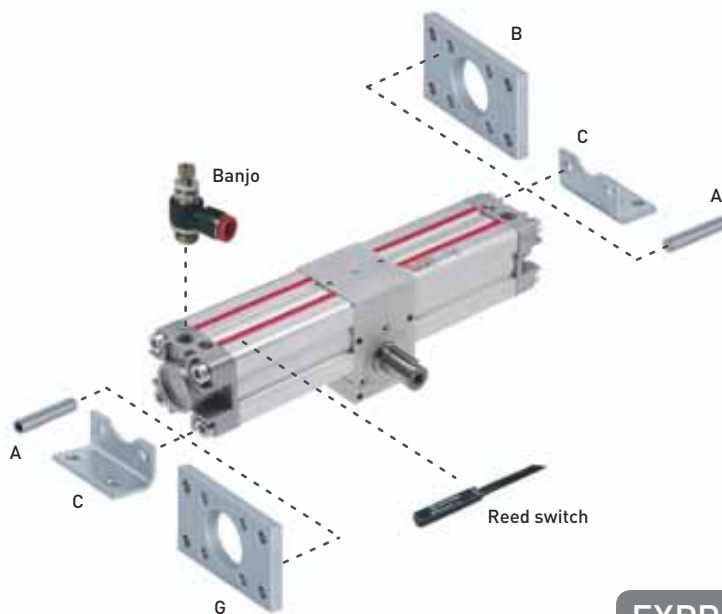
### Models

### Accessories

Model	Dia. Ø	Angle of rotation	Output shaft Ø	Port	Theoretical torque at 6 bar (Nm)	Reed switch with integral 5 m cable	Banjo flow control	Straight fitting	Elbow Fitting	Service kit
										
M/162032/MI/90	32	90°	14	G1/8	7,20	M/50/LSU/5V	C0K510618	C02250618	C02470618	QM/162032/00
M/162032/MI/180	32	180°	14	G1/8	7,20	M/50/LSU/5V	C0K510618	C02250618	C02470618	QM/162032/00
M/162040/MI/90	40	90°	14	G1/4	13,80	M/50/LSU/5V	C0K510628	C02250628	C02470628	QM/162040/00
M/162040/MI/180	40	180°	14	G1/4	13,80	M/50/LSU/5V	C0K510628	C02250628	C02470628	QM/162040/00
M/162050/MI/90	50	90°	19	G1/4	23,40	M/50/LSU/5V	C0K510828	C02250828	C02470828	QM/162050/00
M/162050/MI/180	50	180°	19	G1/4	23,40	M/50/LSU/5V	C0K510828	C02250828	C02470828	QM/162050/00
M/162063/MI/90	63	90°	24	G3/8	43,80	M/50/LSU/5V	C0K510838	C02250838	C02470838	QM/162063/00
M/162063/MI/180	63	180°	24	G3/8	43,80	M/50/LSU/5V	C0K510838	C02250838	C02470838	QM/162063/00
M/162080/MI/90	80	90°	28	G3/8	94,20	M/50/LSU/5V	C0K511038	C02251038	C02471038	QM/162080/00
M/162080/MI/180	80	180°	28	G3/8	94,20	M/50/LSU/5V	C0K511038	C02251038	C02471038	QM/162080/00
M/162100/MI/90	100	90°	38	G1/2	157,80	M/50/LSU/5V	C0K511248	C02251248	C02471248	QM/162100/00
M/162100/MI/180	100	180°	38	G1/2	157,80	M/50/LSU/5V	C0K511248	C02251248	C02471248	QM/162100/00
M/162125/MI/90	125	90°	38	G1/2	306,00	M/50/LSU/5V	C0K511248	C02251248	C02471248	QM/162125/00
M/162125/MI/180	125	180°	38	G1/2	306,00	M/50/LSU/5V	C0K511248	C02251248	C02471248	QM/162125/00

270°, 360° rotation angles also available, please call your Express Team  
For information on additional magnetic switches see page 58

## MOUNTINGS FOR M/162000 Rack & Pinion – rotary cylinders



Dia. Ø	A	B, G	C
32	QM/8032/35	QA/8032/22	QA/8032/21
40	QM/8040/35	QA/8040/22	QA/8040/21
50	QM/8050/35	QA/8050/22	QA/8050/21
63	QM/8050/35	QA/8063/22	QA/8063/21
80	QM/8080/35	QA/8080/22	QA/8080/21
100	QM/8080/35	QA/8100/22	QA/8100/21
125	QM/8125/35	QM/8125/22	QM/8125/21

### EXPRESS LINKS

Have you thought about...

Shock absorbers are a good method of increasing the life of your actuator by decelerating the mass of a rotating object.

See page 60



If you can't see the option you require...  
...call the Express hotline now!