

# STAINLESS STEEL ROUNDLINE CYLINDERS (ISO)

## KM/8000/M

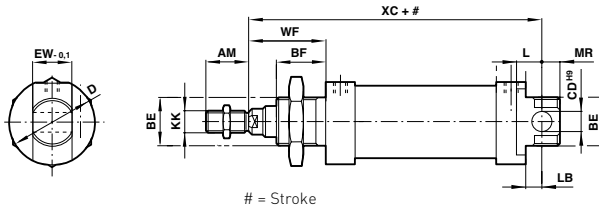
Double acting, ISO 6432 – Ø 12 ... 25 mm

- High corrosion and acid resistance
- Magnetic piston as standard
- Conforms to ISO 6432
- Suitable for applications in the food industry
- Buffer or adjustable cushioning
- Nose mounting nut and piston rod locknut as standard



### TECHNICAL DATA

- Medium:** Compressed air, filtered, lubricated or non-lubricated
  - Operation:** Double acting, magnetic piston with buffer or adjustable cushioning
  - Operating pressure:** 1 to 10 bar
  - Operating temperature:** -10°C to +80°C max.
- Consult our Technical Service for use below +2°C



### Dimensions

Dia. Ø	AM	BE	BF	Ø CDH9	Ø D	EW-0,1	KK	L	LB	MR	WF	XC
12	16	M16x1,5	17	6	20	11,9	M6	9	3	8	22	75
16	16	M16x1,5	17	6	20	11,9	M6	9	4	7	22	82
20	20	M22x1,5	20	8	30	15,9	M8	12	3	11	24	95
25	22	M22x1,5	22	8	30	15,9	M10x1,25	12	7	9	28	104

### Models

BUFFER CUSHIONING Model	ADJUSTABLE CUSHIONING Model	Dia. Ø	Stroke length	Port size	Piston rod Ø
-------------------------	-----------------------------	--------	---------------	-----------	--------------

### Accessories

Reed switch with integral 5 m cable	Switch mounting	Banjo flow control	Straight fitting	Elbow fitting
-------------------------------------	-----------------	--------------------	------------------	---------------



KM/8012/M/25		12	25	M5	6	M/50/LSU/5V	QM/33/012/22	10K510405	102250405	102470405
KM/8012/M/40		12	40	M5	6	M/50/LSU/5V	QM/33/012/22	10K510405	102250405	102470405
KM/8012/M/50		12	50	M5	6	M/50/LSU/5V	QM/33/012/22	10K510405	102250405	102470405
KM/8016/M/25		16	25	M5	6	M/50/LSU/5V	QM/33/016/22	10K510405	102250405	102470405
KM/8016/M/40		16	40	M5	6	M/50/LSU/5V	QM/33/016/22	10K510405	102250405	102470405
KM/8016/M/50		16	50	M5	6	M/50/LSU/5V	QM/33/016/22	10K510405	102250405	102470405
KM/8020/M/25	KM/8021/M/25	20	25	G1/8	8	M/50/LSU/5V	QM/33/020/22	10K510618	102250618	102470618
KM/8020/M/40	KM/8021/M/40	20	40	G1/8	8	M/50/LSU/5V	QM/33/020/22	10K510618	102250618	102470618
KM/8020/M/50	KM/8021/M/50	20	50	G1/8	8	M/50/LSU/5V	QM/33/020/22	10K510618	102250618	102470618
KM/8020/M/80	KM/8021/M/80	20	80	G1/8	8	M/50/LSU/5V	QM/33/020/22	10K510618	102250618	102470618
KM/8020/M/100	KM/8021/M/100	20	100	G1/8	8	M/50/LSU/5V	QM/33/020/22	10K510618	102250618	102470618
KM/8025/M/25	KM/8026/M/25	25	25	G1/8	10	M/50/LSU/5V	QM/33/025/22	10K510618	102250618	102470618
KM/8025/M/40	KM/8026/M/40	25	40	G1/8	10	M/50/LSU/5V	QM/33/025/22	10K510618	102250618	102470618
KM/8025/M/50	KM/8026/M/50	25	50	G1/8	10	M/50/LSU/5V	QM/33/025/22	10K510618	102250618	102470618
KM/8025/M/80	KM/8026/M/80	25	80	G1/8	10	M/50/LSU/5V	QM/33/025/22	10K510618	102250618	102470618
KM/8025/M/100	KM/8026/M/100	25	100	G1/8	10	M/50/LSU/5V	QM/33/025/22	10K510618	102250618	102470618
KM/8025/M/125	KM/8026/M/125	25	125	G1/8	10	M/50/LSU/5V	QM/33/025/22	10K510618	102250618	102470618
KM/8025/M/160	KM/8026/M/160	25	160	G1/8	10	M/50/LSU/5V	QM/33/025/22	10K510618	102250618	102470618
KM/8025/M/200	KM/8026/M/200	25	200	G1/8	10	M/50/LSU/5V	QM/33/025/22	10K510618	102250618	102470618

Service kits are not available for this range of cylinders  
For information on alternative magnetic switches see page 58

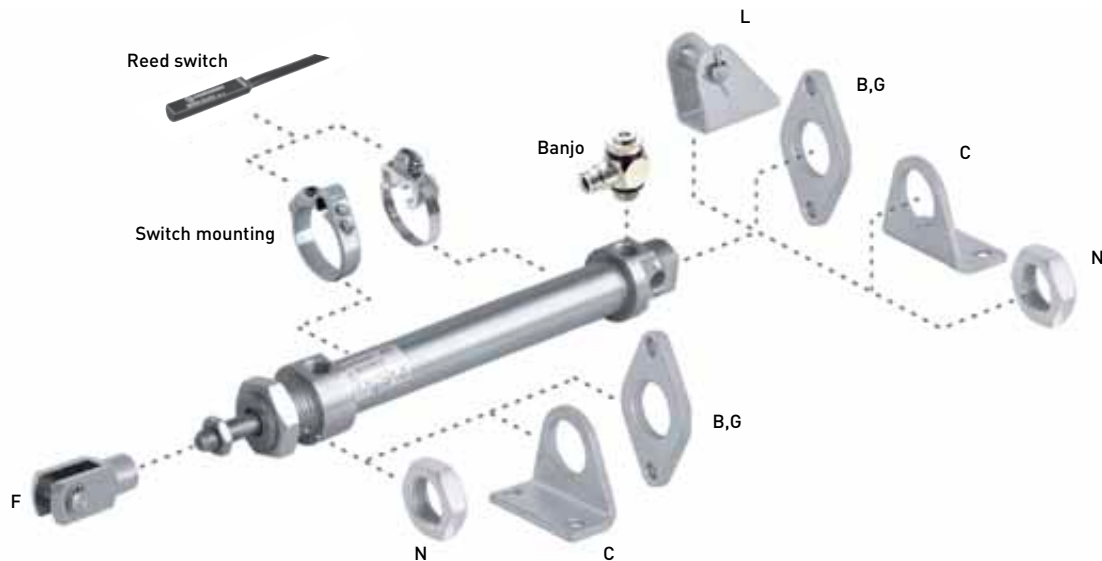
If you can't see the option you require...  
...call the Express hotline now!

For further information  
www.norgren.com/info/nec/en053



# STAINLESS STEEL ROUNDLINE CYLINDERS KM/8000/M

Double acting, ISO 6432 – Ø 12 ... 25 mm



Dia. Ø	B, G	C	F	L	N
12	M/P72405	M/P72403	KQM/8012/25	KQM/8012/24	M/P72398
16	M/P72405	M/P72403	KQM/8012/25	KQM/8012/24	M/P72398
20	M/P72406	M/P72404	KQM/8020/25	KQM/8020/24	M/P72399
25	M/P72406	M/P72404	KQM/55433/25	KQM/8020/24	M/P72399

## EXPRESS PLUS

### Alternative fittings range...

For the all-plastic Pneufit D range please call your Express Team



## EXPRESS LINKS

### Additional Stainless Steel Actuators ...

See the KA/8000 series in the Classic Section, page 62



If you can't see the option you require...  
...call the Express hotline now!