

SOLENOID ACTUATED NAMUR VALVE

Herion 97100 Series

6 mm orifice (ND) – 3/2, 5/2, 5/3, NC/APB, G1/4

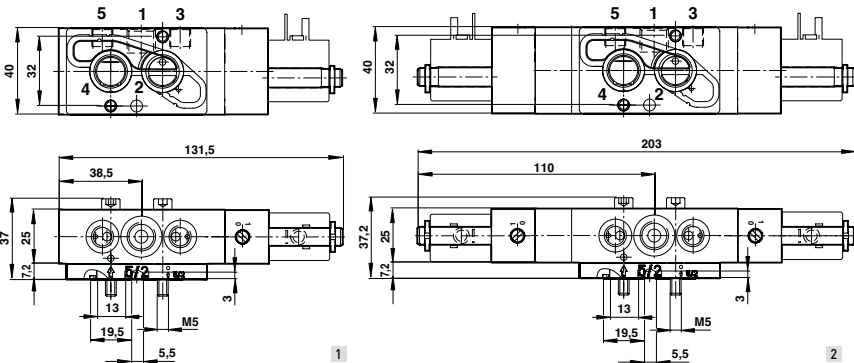


- 3/2 or 5/2 way function via adapter plates
- Exhaust air recirculation
- Crossover-free switching, switch-over function guaranteed even with small cross section air supply
- Rest position in the event of power failure (monostable design)
- Manual override with detent

TECHNICAL DATA

- Medium:** Compressed air filtered, lubricated or non-lubricated.
- Operating pressure:** 2 to 8 bar
- Flow direction:** Fixed
- Mounting position:** Optional
- Ambient temperature:** Valve: -25°C to +50°C
Solenoid: See solenoid table

With minus temperatures, use conditioned dry air. If installed in the open protect all connections against the penetration of moisture. Consult our Technical Service for use below +2°C



Models

3/2, 5/2 AND 5/3 VALVES		Actuation	Port size			Function	Flow (l/min)	Drawing No.
Model 24 V d.c.	Model 230 V a.c.		1	3 (5)	2, 4			
9710000303602400	9710000303623050	Solenoid/Spring	G1/4	G 1/8	Flange	NC	750	1
9711000303602400	9711000303623050	Solenoid/Solenoid	G1/4	G 1/8	Flange	NC	750	2
9712000303602400	9712000303623050	Solenoid/Solenoid	G1/4	G 1/8	Flange	APB	500	2

APB = All Ports Blocked Exterior free of non-ferrous metals. For models without coil, replace the last five digits of the part number with 00000

Solenoid details

3/2, 5/2 AND 5/3 VALVES		Voltage 24 V d.c. (mA)	Voltage 230 V a.c. (mA)	Protection category	Protection class	Temperatures °C ambient/fluid	Electrical connection	Solenoid code
Power Consumption 24 V d.c. (W)	Power Consumption 230 V a.c. (VA)							
1,6	3,5	30	-	-	IP 65 (with connector)	-40 ... +50	DIN EN 175301-803 Form A 4)	3036

Standard voltages 24 V d.c., 230 V a.c. Other voltages on request. Design acc. to VDE 0580, EN 50014/50028. 100% duty cycle.

6) Connector not supplied; required connector for d.c.: part no. 0570275 Form A, see 'Accessories' table.

For further information
www.norgren.com/info/nec/en129

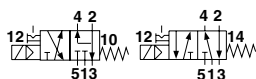


INDIRECT SOLENOID ACTUATED NAMUR VALVE Herion 97100 series

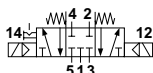
6 mm orifice (ND) – 3/2, 5/2, 5/3, NC/APB, G1/4

Models

3/2, 5/2 AND 5/3 VALVES FOR MINIMAL ELECTRICAL POWER			Port size			Function	Flow (l/min)	Drawing No.
Model 24 V d.c.	Model 230 V a.c.	Actuation	1	3 (5)	2, 4			



9710002305002400	-	Solenoid/Spring	G1/4	G 1/8	Flange	NC	750	1
9710002303402400	9710002303423050	Solenoid/Spring	G1/4	G 1/8	Flange	NC	750	1



9712002305002400	-	Solenoid/Solenoid	G1/4	G 1/8	Flange	APB	500	2
9712002303402400	9712002303423050	Solenoid/Solenoid	G1/4	G 1/8	Flange	APB	500	2

APB = All Ports Blocked. Exterior free of non-ferrous metals. For models without coil, replace the last nine digits of the part number with 000000000

Solenoid details

3/2, 5/2 AND 5/3 VALVES FOR MINIMAL ELECTRICAL POWER				Protection category	Protection class	Temperatures °C ambient/fluid	Electrical connection	Solenoid code
Power Consumption 24 V d.c. (W)	230 V a.c. (VA)	Voltage 24 V d.c. (mA)	230 V a.c. (mA)					



1,7	-	-	-	-	IP 65 (with connector)	-40 ... +50	DIN EN 175301-803 Form B ⁶⁾	3050
-----	---	---	---	---	------------------------	-------------	--	------

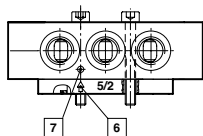


0,7	0,7 2)	-	-	-	IP 65 (with connector) ²⁾	-40 ... +50	DIN EN 175301-803 Form A ⁶⁾	3034
-----	--------	---	---	---	--------------------------------------	-------------	--	------

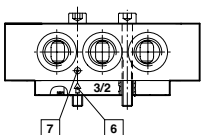
Standard voltages 24 V d.c., 230 V a.c. Other voltages on request. Design acc. to VDE 0580, EN 50014/50028. 100% duty cycle.
 2) Valves can be operated with d.c. only. For 230 V a.c. application please use 206 V d.c. coil together with rectifier plug 0663303
 6) Connector not supplied; required connector for d.c.: part no. 0680003 Form B and 0570275 Form A, see 'Accessories' table.

CONVERSION INSTRUCTIONS

5/2 way function (original mode of supply)



3/2 way function



3/2 resp. 5/2 way function can be achieved just by swapping enclosed adaptor plates. Make sure Marker and Arrow do match as shown on above drawing. Original mode of supply: 5/2 function.

- Arrow
- Marker

Accessories

Silencer	Connectors
0014500 (G1/8)*	0570275 Form A 0663303 with rectifier 0680003 Form B

* For indoor use

EXPRESS LINKS

Exhaust air...

Can be noisy and dangerous to ears, always fit a silencer.

Please see page 275

