

DIRECT SOLENOID ACTUATED POPPET VALVES

Herion 96000 series 2 to 5 mm orifice (ND) 3/2, NC/NO, G1/4

Working from 0 bar up

Short switching times

Suited for fine vacuum down to 1,33·10⁻³ mbar

Assembled oil and grease-free

For a.c. solenoid systems with integrated rectifier (40 to 60 Hz)

These solenoid valves are ATEX and FM, CSA, XP approved

TECHNICAL DATA

Medium:

Neutral gaseous and liquid fluids

Operating pressure:

0 to 18 bar

Flow direction:

Fixed

Mounting position:

Optional, preferably with solenoid on top

Fluid temperature:

-25 to +80 °C NBR (Perbunan)

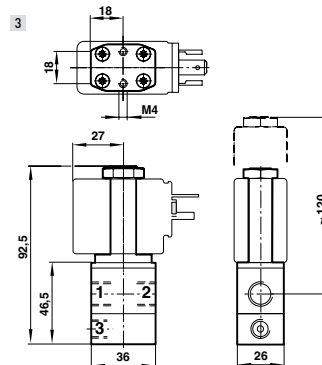
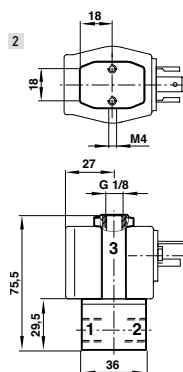
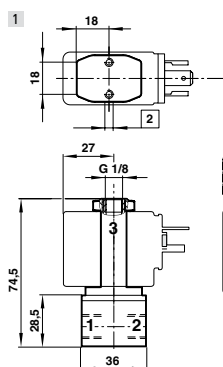
Ambient temperature:

Depending on solenoid system

-25, -40 to +55, +80, +100°C

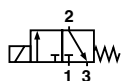
Consult our Technical Service for use below +2°C

For contaminated fluids installation of an upstream filter is recommended

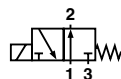


Models

Model	Function	Port size	Orifice (mm)	Operating pressure (bar)	Flow l/min	Solenoid group	Drawing No.
-------	----------	-----------	--------------	--------------------------	------------	----------------	-------------



9600210xxxx*****	3/2 NC	G1/4	2	0 ... 10	120	13B	1
9600240xxxx*****	3/2 NC	G1/4	2	0 ... 18	120	13D	1
9600320xxxx*****	3/2 NC	G1/4	3	0 ... 6	200	13C	1
9600340xxxx*****	3/2 NC	G1/4	3	0 ... 14	200	13D	1
9601430xxxx*****	3/2 NC	G1/4	4	0 ... 8	350	16C	2
9601440xxxx*****	3/2 NC	G1/4	4	0 ... 10	350	16D	1
9601540xxxx*****	3/2 NC	G1/4	5	0 ... 7	450	16D	2



9602210xxxx*****	3/2 NO	G1/4	2	0 ... 9	100	13B	3
9602340xxxx*****	3/2 NO	G1/4	3	0 ... 9	160	13D	3
9602440xxxx*****	3/2 NO	G1/4	4	0 ... 6	300	16D	3

xxxx Insert solenoid code according to solenoid group from tables on page 137. ***** Insert voltage codes from table below

Voltage codes

24 V d.c.	02400
230 V a.c.	23050

Other voltages available, please call your Express Team



For further information
www.norgren.com/info/nec/en136

SOLENOID ACTUATORS For 95000 & 96000 series

GROUP 13B	Power consumption 24 V d.c. (W)	230 V a.c. (VA)	Voltage 24 V d.c. (mA)	230 V a.c. (mA)	Protection category	Protection class	Temperatures °C ambient/fluid	Electrical connection	Solenoid code
	8,0	-	331	-	-	IP 65 (with connector) ⁵⁾	-25 ... +60 Fluid: max. 80	DIN EN 175301-803 Form A ⁴⁾	0246 ⁷⁾
	-	9,2	-	40	-	IP 65 (with connector) ⁵⁾	-25 ... +60 Fluid: max. 80	DIN EN 175301-803 Form A ⁴⁾	3206 ⁷⁾
GROUP 13C	Power consumption 24 V d.c. (W)	230 V a.c. (VA)	Voltage 24 V d.c. (mA)	230 V a.c. (mA)	Protection category	Protection class	Temperatures °C ambient/fluid	Electrical connection	Solenoid code
	12,1	-	504	-	-	IP 65 (with connector) ⁵⁾	-25 ... +60 Fluid: max. 80	DIN EN 175301-803 Form A ⁴⁾	0200 ⁷⁾
	-	11,3	-	49	-	IP 65 (with connector) ⁵⁾	-25 ... +60 Fluid: max. 80	DIN EN 175301-803 Form A ⁴⁾	3204 ⁷⁾
	8,9	-	369	-	II2G ²⁾ II2D	EEx me II T5/T4 IP 66 T 130°C 2)	T5: -40 ... +55 T4: -40 ... +65	M20 x 1,5 ⁴⁾	4220 ⁸⁾
GROUP 13D	Power consumption 24 V d.c. (W)	230 V a.c. (VA)	Voltage 24 V d.c. (mA)	230 V a.c. (mA)	Protection category	Protection class	Temperatures °C ambient/fluid	Electrical connection	Solenoid code
	16,9	-	703	-	-	IP 65 (with connector) ⁵⁾	-25 ... +60 Fluid: max. 80	DIN EN 175301-803 Form A ⁴⁾	0700 ⁷⁾
	-	17,3	-	75	-	IP 65 (with connector) ⁵⁾	-25 ... +60 Fluid: max. 80	DIN EN 175301-803 Form A ⁴⁾	3703 ⁷⁾
	11,4	-	475	-	II2G II2D	EEx me II T5/T4 IP66 T 130°C 2)	T5: -40 ... +40 T4: -40 ... +50	M20 x 1,5 ⁴⁾	4230 ⁸⁾
GROUP 16C	Power consumption 24 V d.c. (W)	230 V a.c. (VA)	Voltage 24 V d.c. (mA)	230 V a.c. (mA)	Protection category	Protection class	Temperatures °C ambient/fluid	Electrical connection	Solenoid code
	6,8	-	284	-	-	IP 65 (with connector) ⁵⁾	-25 ... +60 Fluid: max. 80	DIN EN 175301-803 Form A ⁴⁾	0827 ⁷⁾
	-	10,6	-	46	-	IP 65 (with connector) ⁵⁾	-25 ... +60 Fluid: max. 80	DIN EN 175301-803 Form A ⁴⁾	3805 ⁷⁾
GROUP 16D	Power consumption 24 V d.c. (W)	230 V a.c. (VA)	Voltage 24 V d.c. (mA)	230 V a.c. (mA)	Protection category	Protection class	Temperatures °C ambient/fluid	Electrical connection	Solenoid code
	16,9	-	703	-	-	IP00 without plug ⁵⁾ IP65 with plug ⁵⁾	-25 ... +60	DIN EN175301-803 Form A ⁴⁾	0800 ⁷⁾
	-	17,3	-	75	-	IP00 without plug ⁵⁾ IP65 with plug ⁵⁾	-25 ... +60	DIN EN175301-803 Form A ⁴⁾	3803 ⁷⁾

Standard voltages 24 V d.c., 230 V a.c. Other voltages on request.

Design acc. to VDE 0580, EN 50014/50028. 100% duty cycle.

2) Category II 2 GD, EC-Type Examination Certificate KEMA 98 ATEX 4452 X

5) Required connector type 0570275.

6) Connector/cable gland not supplied, see 'Accessories' table

7) Suitable for outdoor installation only if equipped with a special protection (e.g. cubicle installation)

8) This solenoid has a fuse with an appropriate rating.

Accessories

Cable glands Protection class EEx e, EEx d (ATEX), Ms nickel plated brass	Connectors
EEx e 0588819 (for solenoid 42xx /46xx M20 x 1,5)	0570275