

INDIRECT SOLENOID ACTUATED POPPET VALVES

Herion 80200 Series

- High flow rate
- Optionally pilot-operated by external pilot source
- High repeatability of switching time
- Easily interchangeable solenoid system

TECHNICAL DATA

Medium:

Compressed air, filtered, lubricated or non-lubricated

Mounting position:

Optional, preferably vertical with strong vibration
vertical to axis of vibration

Operating pressure:

10 bar maximum

Flow:

(at 6 bar Δp 1 bar)

Orifice \varnothing l/min

G1/2 5000

G3/4 8000

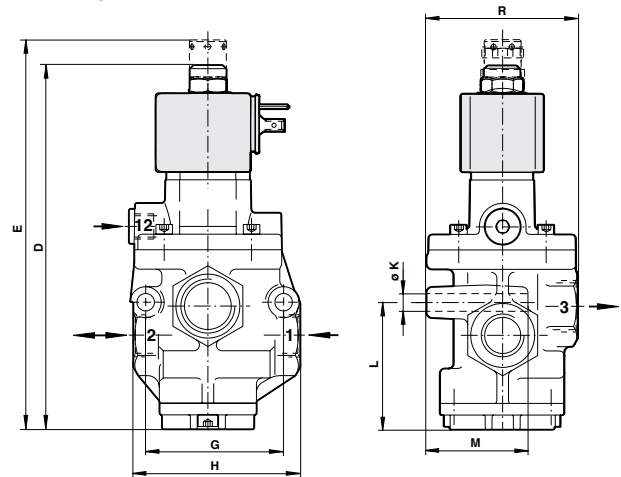
G1 12000, 18000*

*For 8026870 valves only

Ambient temperature:

-10°C ... +60°C

Consult our Technical Service for use below +2°C



Dimensions

Model	D	E	G	H	ØK	L	M	R
802657	187,5	-	71	86	9	65,5	52	78
802667	197,5	-	82,5	112	9	74,5	54	92
802677	197,5	-	82,5	112	9	74,5	54	92
802857	-	200,5	71	86	9	65,5	52	78

MATERIALS

Housing:

Aluminium

Seat seal:

AU (polyurethane)

Inner parts:

POM

Models

Model 24 V d.c.	Model 24 V a.c.	Port size			Orifice (mm)	Type	Operating pressure (bar)*	Control pressure (bar)*	Switching time (ms)
		1	2	3					
8026570080002400	8026570080002450	G1/2	G1/2	G3/4	15	NC	2 ... 10	-	10
8026670080002400	8026670080002450	G3/4	G3/4	G1	20	NC	2 ... 10	-	10
8026770080002400	8026770080002450	G1	G1	G1	25	NC	2 ... 10	-	10
8026572080002400#	8026572080002450#	G1/2	G1/2	G3/4	15	NC	-0,9 ... 6	4 ... 10	20

* Required pilot pressure \geq operating pressure, min. 2 bar; with vacuum operating pressure + 1 bar, min. 4 bar.

Valve for vacuum



For further information
www.norgren.com/info/nec/en138