

ELECTRO-MECHANICAL PRESSURE SWITCH

20D Series

20D ATEX



20D Allfluid



Allfluid: -1 ... 100 bar
ATEX Allfluid: -1 ... 63 bar
Low Pressure -0,025 ... 1,6 bar

- High accuracy
- Robust metal housing (Standard and Low pressure)
- Robust metal housing in weather-resisting version (ATEX)

TECHNICAL DATA

Medium:

For neutral, aggressive (Standard only), non-flammable gases and fluids

Operating pressure:

- 1 ... 100 bar (Standard)
- 1 ... 63 bar (ATEX)
- 0,025 ... 1,6 bar (Low pressure)

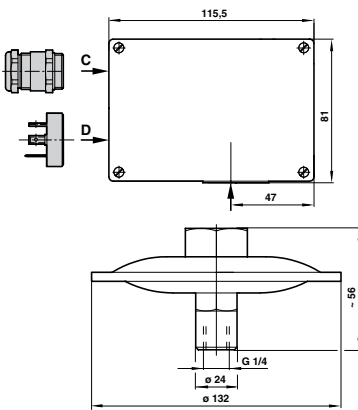
Temperature:

- Fluid Ambient
- 10 ... +100°C -25 ... +80°C (Standard and Low pressure)
- 10 ... +75°C -10 ... +75°C (ATEX)

Repeatability:

±1% of final value

20D Low pressure



Models

ALLFLUID Model	Pressure range (bar)	Fluid connection	Electrical connection	Switching pressure difference	Range - Switching pressure difference (bar)			Max. over pressure (bar)	Accessories	
					Lower	Upper & min.	Upper max.		Plug	Bracket - Steel
1801505000000000	0,5 ... 6	G1/2	Gland Pg 13,5	Adjustable	0,80	0,90	5,00	20	-	0574772000000000
1801605000000000	0,5 ... 10	G1/2	Gland Pg 13,5	Adjustable	0,90	1,90	8,00	20	-	0574772000000000
1801615000000000	0,5 ... 10	G1/2	M20 x 1,5	Adjustable	0,90	1,90	8,00	20	-	0574772000000000
1801715000000000	1 ... 16	G1/2	M20 x 1,5	Adjustable	1,70	2,00	12,00	50	-	0574772000000000
1811505000000000	0,5 ... 6	G1/2	Gland Pg 13,5	Fixed	0,30	0,35	-	20	-	0574772000000000
1811605000000000	0,5 ... 10	G1/2	Gland Pg 13,5	Fixed	0,30	0,40	-	20	-	0574772000000000
1811615000000000	0,5 ... 10	G1/2	M20 x 1,5	Fixed	0,30	0,40	-	20	-	0574772000000000
1811715000000000	1 ... 16	G1/2	M20 x 1,5	Fixed	0,70	0,80	-	50	-	0574772000000000
ATEX ALLFLUID										
1841615000000000	0,5 ... 10	G1/2	M20 x 1,5	Fixed	0,70	0,90	-	20	-	0574772000000000
1851615000000000	0,5 ... 10	G1/2	M20 x 1,5	Adjustable	0,70	0,90	8,00	20	-	0574772000000000
LOW PRESSURE										
1812500000000000	0 ... 0,025	G1/4	DIN EN 175301-803 Form A	Fixed	0,003	0,004	-	0,5	0570110000000000	0574772000000000
1812600000000000	0 ... 0,06	G1/4	DIN EN 175301-803 Form A	Fixed	0,004	0,006	-	0,5	0570110000000000	0574772000000000
1812700000000000	0,004 ... 0,16	G1/4	DIN EN 175301-803 Form A	Fixed	0,004	0,008	-	0,5	0570110000000000	0574772000000000
1812800000000000	0 ... 0,25	G1/4	DIN EN 175301-803 Form A	Fixed	0,004	0,009	-	0,5	0570110000000000	0574772000000000

Note: Other pressure ranges available. Contact your Express Team.

For further information
www.norgren.com/info/nec/en167

