

EXCELON® PRO SERIES Regulator

R92G – Ø 8 mm, G1/4

- Configuration flexibility
- Excellent value
- No tools required for assembly

TECHNICAL DATA

Medium:

Compressed air

Operating pressure:

12 bar max.

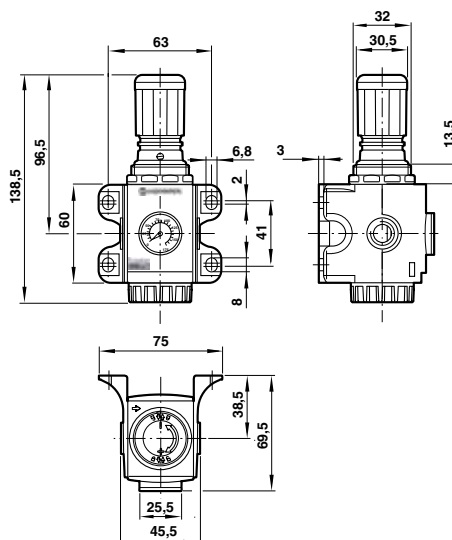
Ambient temperature:

-20°C to +60°C

Consult our Technical Service for use below +2°C

Outlet pressure adjustment range:

0,3 to 10 bar



Models

Model	Port size	Flow*
R92G-8DK-RMG	Ø 8 mm	22 dm³/s (1320 l/min)
R92G-2GK-RMG	G1/4	22 dm³/s (1320 l/min)

Service Kit

R92G-KITR
R92G-KITR

* Typical flow with 10 bar inlet pressure 6,3 bar set pressure and a 1 bar droop from set



For further information
www.norgren.com/info/nec/en178