

EXCELON® PRO SERIES Lubricator (oil-fog)

L92C – ø 8 mm, G1/4

- Configuration flexibility
- Excellent value
- No tools required for assembly

TECHNICAL DATA

Medium:

Compressed air

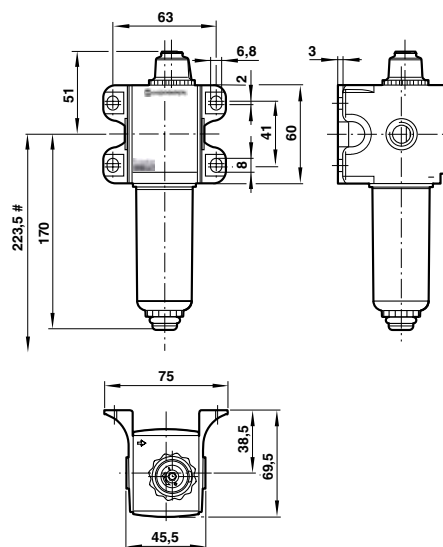
Operating pressure:

12 bar max.

Ambient temperature:

-20°C to +52°C

Consult our Technical Service for use below +2°C


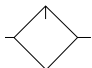


EXPRESS PLUS

Have you thought about...

Lubricators extend system's life up to 4 times, saving you money

Models

L92C	Port size	Flow*
Model		
	ø 8 mm	24 dm ³ /s (1440 U/min)
	G1/4	24 dm ³ /s (1440 U/min)

Service Kit



L92C-KIT
L92C-KIT

*Typical flow with 6,3 bar inlet pressure and 0,5 bar pressure drop



For further information
www.norgren.com/info/nec/en180