

# OLYMPIAN PLUS PLUG-IN SYSTEM

## Combination filter/regulators and lubricator

BL64, 68 – G1/2 & G1



Complete air processing units pre-assembled, ready to install

Boxed sets include: filter/regulator and micro-fog lubricator complete with exhausting shut-off valve, pressure gauge and mounting brackets

### TECHNICAL DATA

**Medium:**

Compressed air only

**Maximum inlet pressure:**

17 bar

**Ambient temperature:**

-20°C to +80°C

Consult our Technical Service for use below +2°C

**Pressure range:**

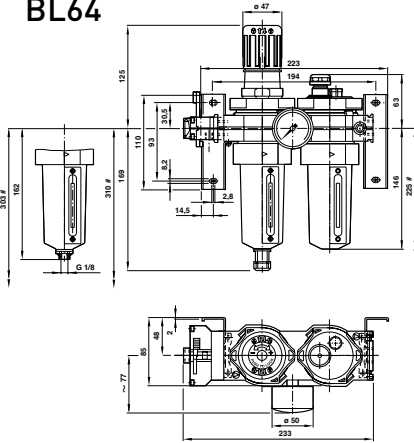
BL64: 0,3...10 bar

BL68: 0,4...8 bar

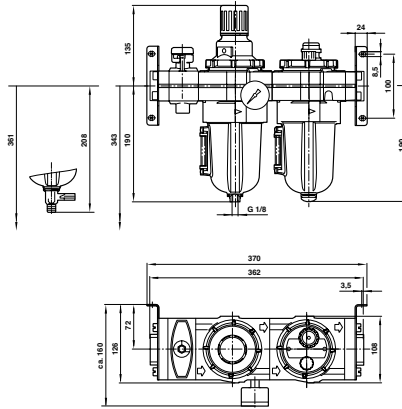
**Gauge ports:**

Rc1/8

**BL64**



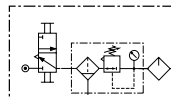
**BL68**



# Minimum clearance required to remove bowl

### Models

BOXED SETS BL64 AND BL68 WITH SHUT-OFF VALVE		
AUTO DRAIN Model	MANUAL DRAIN Model	Port size



BL64-401	BL64-421	G1/2
BL68-801	BL68-821	G1

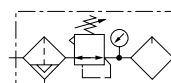
### Accessories

Tamper resistant kit	Quick fill nipple	Filter element (40 micron)
----------------------	-------------------	----------------------------



4355-50	18-011-024	4338-02
4355-50	18-011-024	5576-99

BOXED SETS BL64 AND BL68 WITHOUT SHUT-OFF VALVE		
AUTO DRAIN Model	MANUAL DRAIN Model	Port size



BL64-405	BL64-425	G1/2
BL68-805	BL68-825	G1

Tamper resistant kit	Quick fill nipple	Filter element (40 micron)
----------------------	-------------------	----------------------------



4355-50	18-011-024	4338-02
4355-50	18-011-024	5576-99

For full service kits including drains refer to individual units

For further information  
www.norgren.com/info/nec/en193

