

OLYMPIAN PLUS PLUG-IN SYSTEM 'Puraire'® high efficiency oil removal filters

F64C/H, F68C/H – G1/4 to G1



High efficiency coalescing filters
Coalescing element removes sub-micron particles and converts oil and water mist to liquid form to drain away
Service indicator standard

TECHNICAL DATA

Medium:
Compressed air only

Maximum inlet pressure:
17 bar

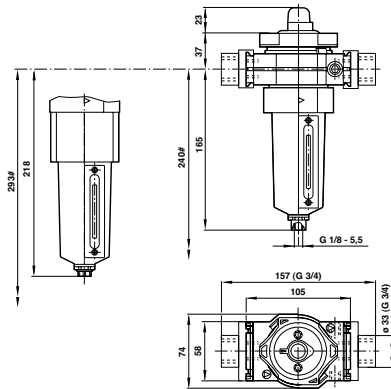
Remaining oil content:
0,01 mg/m³ max at 21° C

Verwijdering vaste deeltjes:
To 0,01 µm

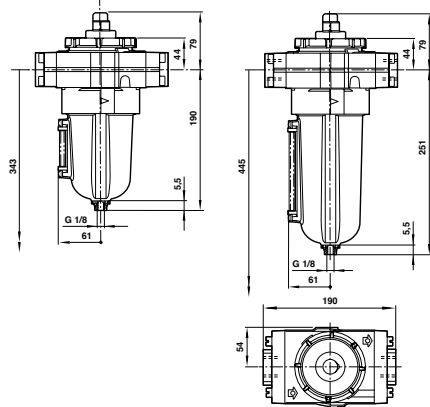
Ambient temperature:
-20°C to +65°C

Consult our Technical Service for use below +2°C

F64C/H



F68C/H



Minimum clearance required to remove bowl

Models

F64C/H SERIES AUTO DRAIN Model	Port size	Flow* (dm ³ /s)
F64C-2GD-AD0	G1/4	16
F64H-3GD-AD0	G3/8	28
F64H-4GD-AD0	G1/2	28
F64H-6GD-AD0	G3/4	28

Accessories

Wall mounting bracket	3/2 Shut-off valve**	Silencer (shut-off valve)

Service Kit

Auto drain

F68C/H SERIES AUTO DRAIN Model	Port size	Flow* (dm ³ /s)
F68C-4GD-AR0	G1/2	35
F68H-6GD-AU0	G3/4	35
F68H-8GD-AU0	G1	60

Wall mounting bracket	3/2 Shut-off valve**	Silencer (shut-off valve)

Auto drain

* To maintain stated oil content at 6,3 inlet pressure **Threaded exhaust port
For replacement filter (without yoke) substitute 'N' at the 5th and 6th digits eg: F68H-NND-AU0

For further information
www.norgren.com/info/nec/en195

