

# OLYMPIAN PLUS PLUG-IN SYSTEM

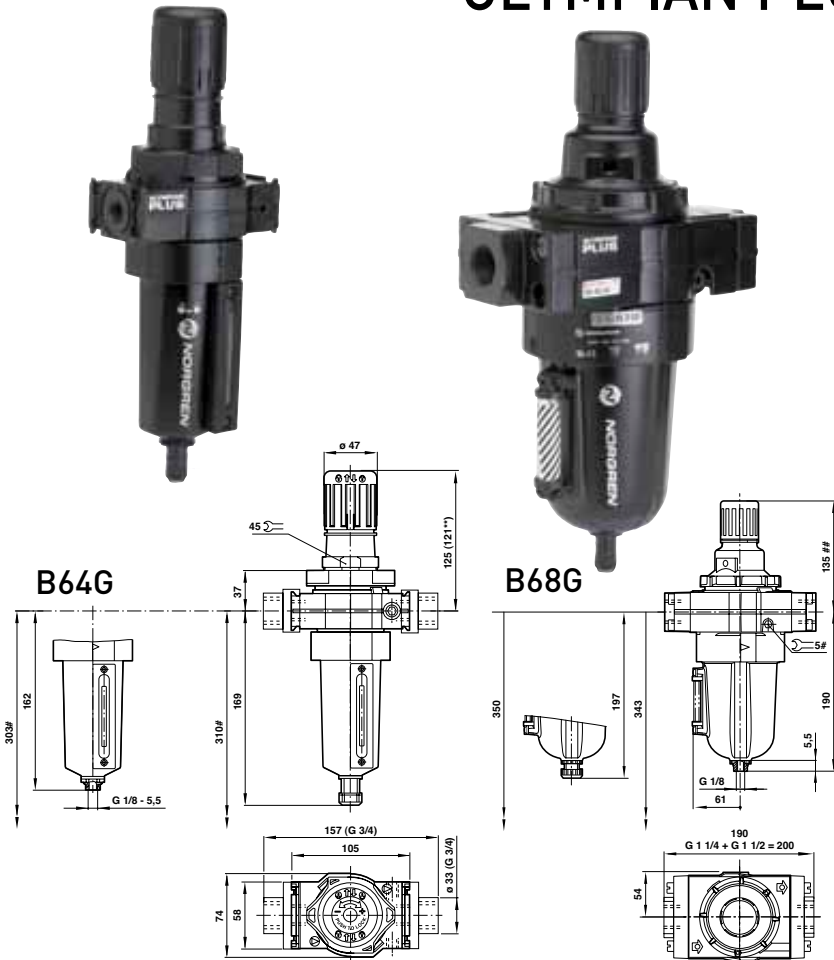
## Filter/regulators

B64G, B68G - G1/4 to G1 1/2

- High efficiency water removal
- Good regulation characteristics
- Non-rising adjusting knob has snap-action lock

### TECHNICAL DATA

- Medium:**  
Compressed air only
- Maximum inlet pressure:**  
17 bar
- Gauge ports:**  
Rc1/8
- Ambient temperature:**  
-20°C to +80°C  
Consult our Technical Service for use below +2°C
- Pressure range:**  
B64G: 0,3...10 bar  
B68G: 0,4...8 bar



# Minimum clearance required to remove bowl. ## Reduces by 4 mm with knob in locked position  
\*\* Knob in locked position

### Models

B64G SERIES AUTO DRAIN Model	MANUAL DRAIN Model	Port size	Flow* [dm³/s]
		G1/4	30
		G3/8	76
		G1/2	106
		G3/4	106

### Accessories

Wall mounting bracket	Gauge 0...10 bar	3/2 Shut-off valve	Tamper resistant kit	Silencer (shut-off valve)

### Service Kit

Auto drain	Manual drain

B68G SERIES AUTO DRAIN Model	MANUAL DRAIN Model	Port size	Flow* [dm³/s]
		G3/4	240
		G1	240
		G1 1/4	240
		G1 1/2	240

Wall mounting bracket	Gauge 0...10 bar	3/2 Shut-off valve	Tamper resistant kit	Silencer (shut-off valve)

Auto drain	Manual drain

\* Typical flow with 10 bar inlet pressure, and 1 bar set pressure and 1 bar drop from set  
For replacement filter/regulator (without yoke) substitute "N" at the 5<sup>th</sup> and 6<sup>th</sup> digits eg. B68G-NNK-AR3-RLN

For further information  
www.norgren.com/info/nec/en199

