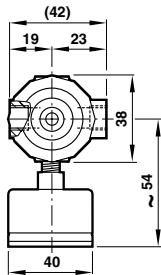
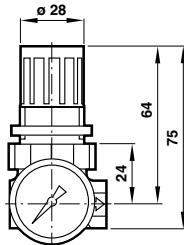


MINIATURE UNITS, GENERAL PURPOSE

Pressure regulator

R07 – G1/8, G1/4



Ported regulators for general purpose
pneumatic applications

Relieving operation as standard

Non-rising adjusting knob with snap-action lock

TECHNICAL DATA

Medium:

Compressed air only

Maximum inlet pressure:

20 bar

Gauge ports:

Rc1/8

Ambient temperature:


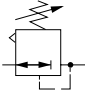
-34°C to +65°C

Consult our Technical Service for use below +2°C





Pressure range:

0,3 ... 7 bar


Models

R07 SERIES	Port size	Outlet pressure range	Flow* (dm ³ /s)
Model			
			
R07-100-RNKG	G1/8	0,3 to 7 bar	6,5
R07-200-RNKG	G1/8	0,3 to 7 bar	6,5
R07-105-RNMG	G1/4	0,5 to 10 bar	7
R07-205-RNMG	G1/4	0,5 to 10 bar	7

Accessories

Neck mounting bracket (incl. nut)	Mounting nut only plastic	Mounting nut only metal	Gauge
			
18-025-003	2962-89	2962-04	18-013-989
18-025-003	2962-89	2962-04	18-013-989
18-025-003	2962-89	2962-04	18-013-989
18-025-003	2962-89	2962-04	18-013-989

Service Kit

Service Kit

R07-KITR
R07-KITR
R07-KITR
R07-KITR

* Typical flow with 10 bar inlet pressure, 6,3 bar set pressure and 1 bar drop from set

For further information
www.norgren.com/info/nec/en205

