

PRECISION INSTRUMENT

Pressure regulator

11-818, R27

11-818

Precision instruments with integral pilot to ensure very close pressure control in a compact form

Unit double filters air before reaching pilot valve to help prevent leakage and malfunction

Panel mounting facility

* Not recommended for dead-end applications

R27

High precision regulator using a control chamber instead of a spring, so increasing its sensitivity to any variations and eliminating any spring hysteresis

Perfect for dead-end applications

Excellent long term stability



11-818



R27

TECHNICAL DATA

Medium:

11-818 - Compressed air, R27 - dry, oil free air filter to 25µm

Maximum inlet pressure:

11-818 Low pressure: 8 bar

11-818 Standard pressure: 10 bar

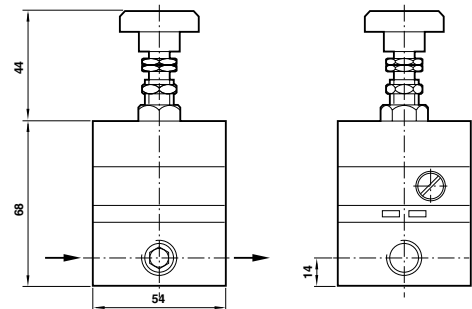
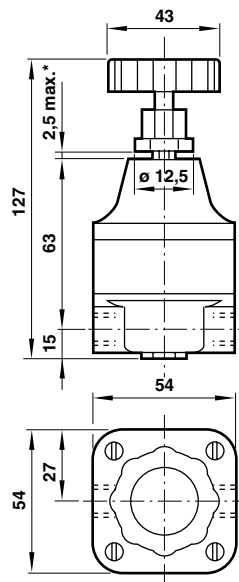
11-818 High pressure: 14 bar

R27: 10 bar (minimum 0,2 above output)

Ambient temperature:

11-818: 0 ... +70°C

R27: -20 ... +70°C



Models

11-818 Series	Port size	Outlet pressure range (bar)	Flow* (dm³/s)	Accuracy # (bar)	Operation	Gauge Ports	Tamper proof adjusting screw	Panel mounting nut	
11-818-999	G1/4	0,02 ... 0,50 (low)		0,01	Relieving	-	-	3081-01	2787-96
11-818-998	G1/4	0,02 ... 0,50 (low)		0,01	Relieving	-	Tamper proof	3081-01	2787-96
11-818-100	G1/4	0,07 ... 4 (Standard)	8,0	0,03	Relieving	-	-	3081-01	2787-98
11-818-101	G1/4	0,07 ... 4 (Standard)	8,0	0,03	Relieving	-	Tamper proof	3081-01	2787-98
11-818-110	G1/4	0,04 ... 10 (high)		0,05	Relieving	-	-	3081-01	2787-97
11-818-987	G1/4	0,02 ... 0,50 (low)		0,01	Relieving	R1/4	-	3081-01	2787-96
11-818-993	G1/4	0,07 ... 4 (Standard)	8,0	0,03	Relieving	R1/4	-	3081-01	2787-98
11-818-991	G1/4	0,04 ... 10 (high)		0,05	Relieving	G1/4	-	3081-01	2787-97

* Typical flow with 8 bar inlet pressure, 4 bar set pressure and 0.005 bar droop from set. # Typical mid range variance from set pressure with 7 bar inlet at 2 dm³/s flow

Note: 11-818 is not a constant bleed device, when being used under flow conditions no air is consumed. Air bleed is only effective under zero flow conditions as in a dead end application.

R27 Series	Port size	Outlet pressure range (bar)	Flow* (dm³/s)	Hysteresis/ repeatability#	Sensitivity	Operation	Gauge Ports
R27-200-RNCG	G1/4	0,14 ... 2,0 bar	8,0	< 0,05%	> 0,3 mbar	Relieving	G1/4
R27-200-RNFG	G1/4	0,14 ... 4,0 bar	8,0	< 0,05%	> 0,3 mbar	Relieving	G1/4
R27-200-RNLG	G1/4	0,14 ... 8,0 bar	8,0	< 0,05%	> 0,3 mbar	Relieving	G1/4

* Maximum flow achieved under ideal conditions # Typical values at mid range

Note - R27 regulators are designed as constant bleed devices and consume air, typically less than 0.016dm³/s



For further information
www.norgren.com/info/nec/en220

Accessories Service Kit